

Cummins

Parts Catalog

Model NHC-250

Small Cam

S.O. 26029 Revision "U" Automotive Fuel Pump
S.O. 26033 Revision "L" VS Fuel Pump

For U.S. Army M939 Series
5 Ton 6 x 6 Truck

Cummins Engine Company, Inc.
Columbus, Indiana, U.S.A. 47201
Cable: CUMDIEX COLUMBUS

Registered Office:
Cummins Engine Company, Ltd.
Coombe House, St. George's Square
New Malden, England
Cable: INTCUMLON MALDEN
Registration No. 573951 England

Bulletin No. 3379699-00

Printed in U.S.A. 6-82

©Copyright
Cummins Engine Company, Inc. 1982

Foreword

This Parts Catalog has been prepared to assist in ordering and/or identifying replacement parts for the NHC-250 Engines installed in U.S. Army M939 Series 5 Ton Truck... This catalog is intended to cover the new cylinder block configuration currently in production.

Most M939 Series trucks are built using engines equipped with Cummins Standard Automotive Configuration Plugged AFC Style Fuel Pump.

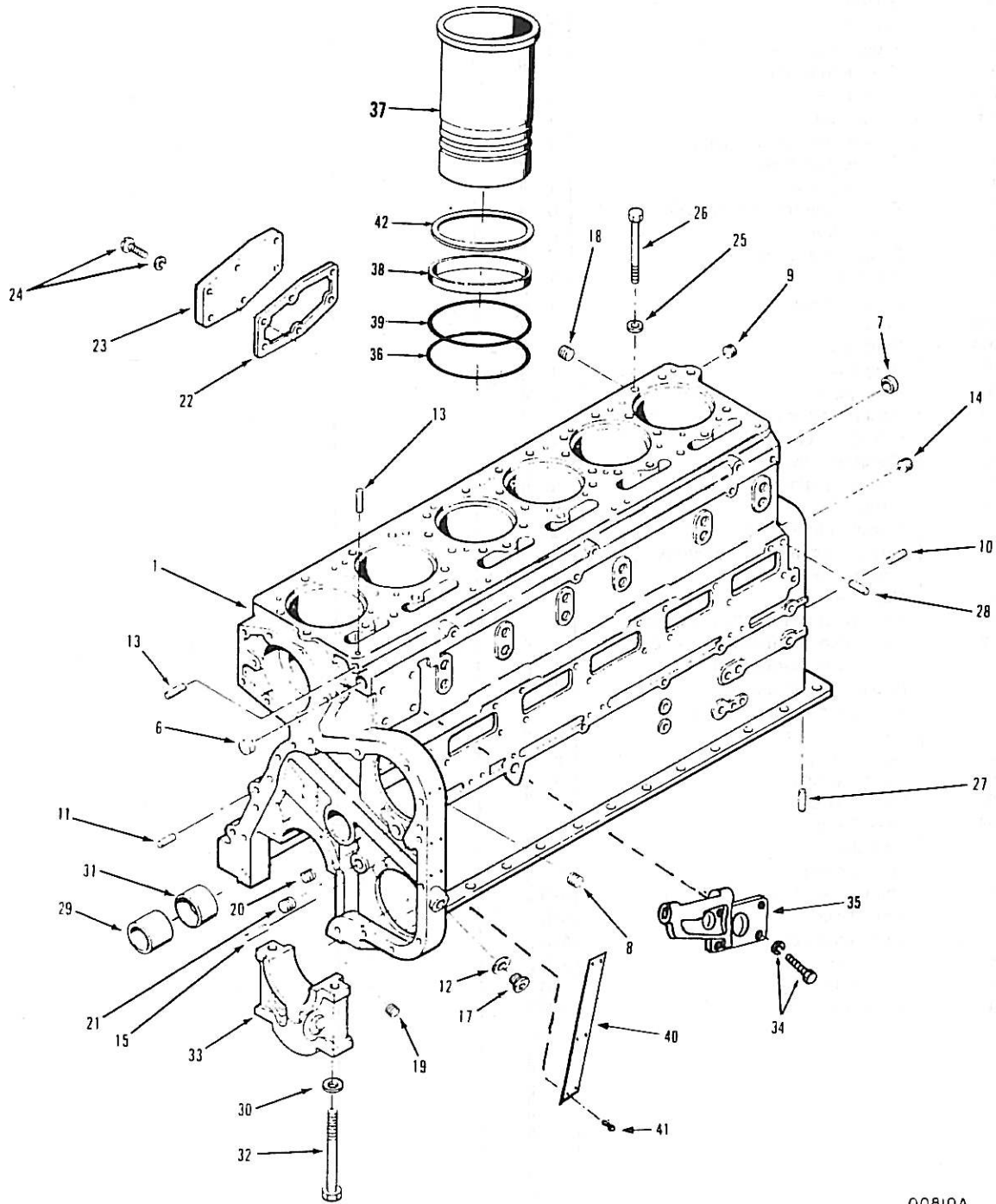
Certain truck body styles, such as the wrecker, shop van and refueler, require the Variable Speed Governor using Cummins Plugged AFC Fuel Pump with VS Governor.

Table of Contents

| | Page No. | | Page No. |
|--|-------------|--------------------------|-------------|
| Accessory Drive | 20, 21 | Pistons | 3 |
| Air Compressor | 20, 21 | Piston Rings | 3 |
| Air Intake Connection | 18 | Push Tubes | 8 |
| Air Intake Manifold | 18 | Rear Cover | 4 |
| Belt, Water | 14 | Ring Gear | 23 |
| Breather | 7 | Rocker Cover | 7 |
| Cam Followers | 8 | Shutdown Valve | 32, 33 |
| Camshaft Bushings | 1 | Thermostat Housing | 15 |
| Camshaft | 4 | Throttle Lever | 31 |
| Connecting Rods | 3 | Vibration Damper | 2 |
| Crankshaft | 2 | Water Manifold | 17 |
| Cross-Reference List | 47, 50 | Water Pump | 14 |
| Cylinder Block | 1 | | |
| Cylinder Head | 6 | | |
| Cylinder Liners | 1 | | |
| Drive Pulley | 20, 21 | | |
| Exhaust Manifold | 19 | | |
| Fan Bracket | 16 | | |
| Filter, Lube Oil | 9 | | |
| Flexplate | 23 | | |
| Flywheel Housing | 23 | | |
| Fuel Pump Assembly - AFC-Std. Auto | 25-30 | | |
| Fuel Pump Housing | 24, 25 | | |
| Mainshaft, Cover and Gov. | 26, 27 | | |
| Governor Spring Pack | 28 | | |
| Fuel Gear Pump | 29 | | |
| Damper, Fuel Pump | 30 | | |
| Fuel Pump Assembly - AFC-VS Gov. | 34-40 | | |
| Fuel Pump Housing | 34, 35 | | |
| Fuel Pump Filter | 40 | | |
| Mainshaft, Cover and Gov. | 36, 37 | | |
| VS Gov. Spring Pack | 38, 39 | | |
| Fuel Gear Pump | 29 | | |
| Damper, Fuel Pump | 30 | | |
| Fuel Tubing | 22 | | |
| Gear Cover | 5 | | |
| Injector | 32, 33 | | |
| Main Bearing Shells | 2 | | |
| Oil Cooler | 12 | | |
| Oil Dipstick Gauge | 11 | | |
| Oil Pan | 10, 11 | | |
| Oil Pump | 13 | | |

Items Not Illustrated

| | | |
|---|-----------------------------|--------------------|
| 3011472 | Gasket Set, Engine Overhaul | 3011472 - Code 20 |
| AR-45625 | Gasket Set, Valve Grind | AR-45625 - Code 20 |
| 3010240 | Gasket Set, Fuel Pump | 3010240 - Code 20 |
| Fuel Filter Supplied by A.M. General | | |
| Complete Filter Assembly Numbers | | |
| NSN | 4930-00-477-8276 | Cummins N/A |
| Ordinance | 11664680 | Fleetguard 256172 |
| Service Replacement Element (W/Gaskets) | | |
| NSN | 2910-00-152-2033 | Cummins 256559 |
| Ordinance | 11664669 | Fleetguard FS-1201 |

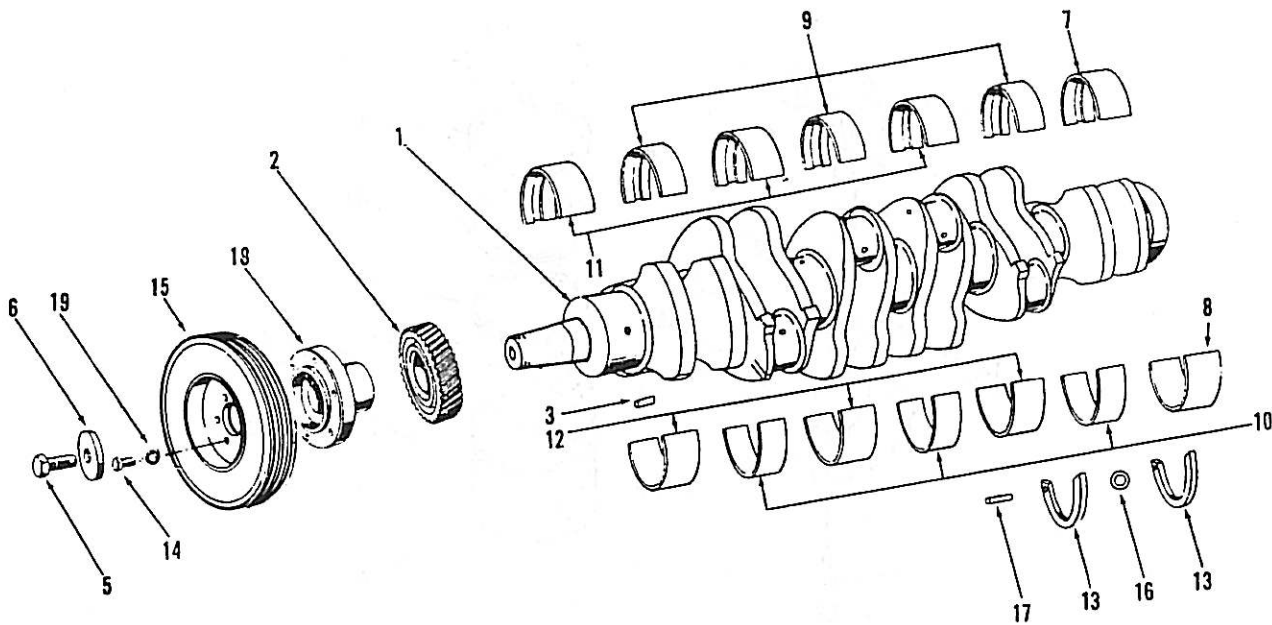


00810A

CYLINDER BLOCK

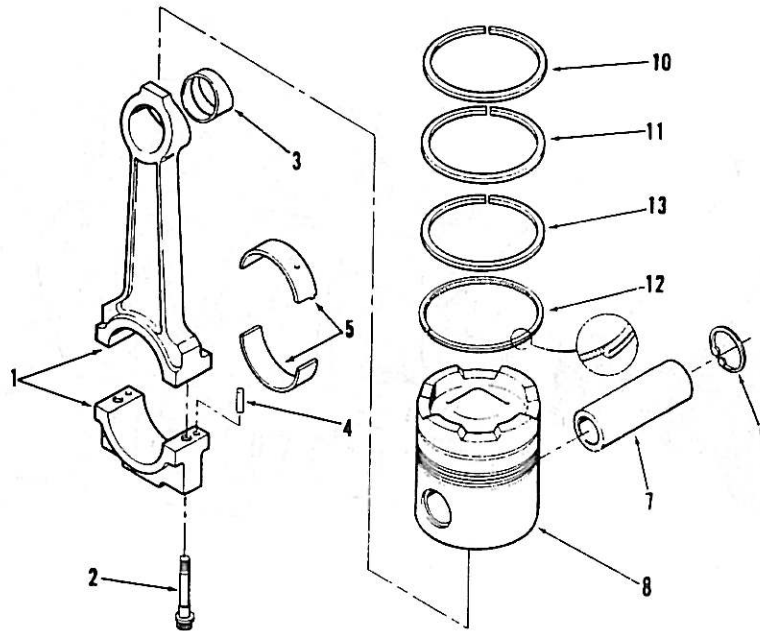
| REF. NO. | PART NUMBER | PART NAME | NO. REQ'D. | REF. NO. | PART NUMBER | PART NAME | NO. REQ'D. |
|----------|-------------|------------------------------------|------------|----------|-------------|-----------|------------|
| | | CYLINDER BLOCK | | | | | |
| 1 | 3801314 | Assembly, cylinder block (3031264) | 1 | | | | |
| | BM-27253 | Bushing assembly, camshaft | 1 | | | | |
| 29 | 100670 | Bushing | 1 | | | | |
| 31 | 157870 | Bushing | 6 | | | | |
| 6 | S-716 | Plug, expansion | 1 | | | | |
| 7 | S-719 | Plug, expansion | 1 | | | | |
| 8 | S-911-B | Plug, pipe | 1 | | | | |
| 9 | S-966-E | Plug, pipe | 1 | | | | |
| 10 | 9226 | Dowel, flywheel housing | 2 | | | | |
| 11 | 60408 | Dowel, gear cover | 1 | | | | |
| 12 | 66292 | Washer, plain | 1 | | | | |
| 13 | 68445 | Pin, groove (head to block) | 6 | | | | |
| 14 | 69901 | Plug, pipe | 8 | | | | |
| 15 | 70653 | Dowel, gear cover | 1 | | | | |
| | 202903 | Pin, roll | 2 | | | | |
| 17 | 210884 | Plug, hex socket | 1 | | | | |
| 18 | 3008466 | Plug, pipe | 1 | | | | |
| 19 | 3008468 | Plug, pipe | 3 | | | | |
| 20 | 3008469 | Plug, pipe | 1 | | | | |
| 21 | 3013786 | Plug, pipe | 5 | | | | |
| 22 | 70089-1 | Gasket, cover plate | 1 | | | | |
| 23 | 132019 | Cover, water header | 1 | | | | |
| 24 | 3013904 | Capscrew, captive | 6 | | | | |
| 25 | 69699 | Washer, plain | 36 | | | | |
| 26 | 177734 | Capscrew | 36 | | | | |
| 27 | 67211 | Dowel, rear main bearing | 2 | | | | |
| 28 | 68585 | Dowel, cam follower to block | 6 | | | | |
| 30 | 140218 | Washer, plain | 14 | | | | |
| 32 | 208346 | Capscrew | 14 | | | | |
| 33 | 3008047 | Cap, main bearing (No. 1, 3, 5) | 3 | | | | |
| 33 | 3008048 | Cap, main bearing (No. 2, 4, 6) | 3 | | | | |
| 33 | 3008049 | Cap, main bearing (No. 7) | 1 | | | | |
| 34 | 3010596 | Capscrew and washer | 4 | | | | |
| 35 | 127459 | Support, hydraulic pump | 1 | | | | |
| | AR-11317 | Liner, cylinder | 6 | | | | |
| 36 | 183049 | Seal, O-ring | 6 | | | | |
| 37 | 213740 | Liner, cylinder | 6 | | | | |
| 38 | 215090 | Seal, crevice | 6 | | | | |
| 39 | 3008998 | Seal, O-ring | 6 | | | | |
| 40 | 3027288 | Dataplate | 1 | | | | |
| 41 | S-2286 | Screw, dataplate | 6 | | | | |
| 42 | 3019955 | Shim, liner (.007") | A/R | | | | |
| 42 | 3019956 | Shim, liner (.008") | A/R | | | | |
| 42 | 3019957 | Shim, liner (.009") | A/R | | | | |
| 42 | 3019958 | Shim, liner (.020") | A/R | | | | |
| 42 | 3019959 | Shim, liner (.031") | A/R | | | | |
| 42 | 3019960 | Shim, liner (.062") | A/R | | | | |

PARTS INDENTED ARE INCLUDED IN THE PART UNDER WHICH THEY ARE INDENTED



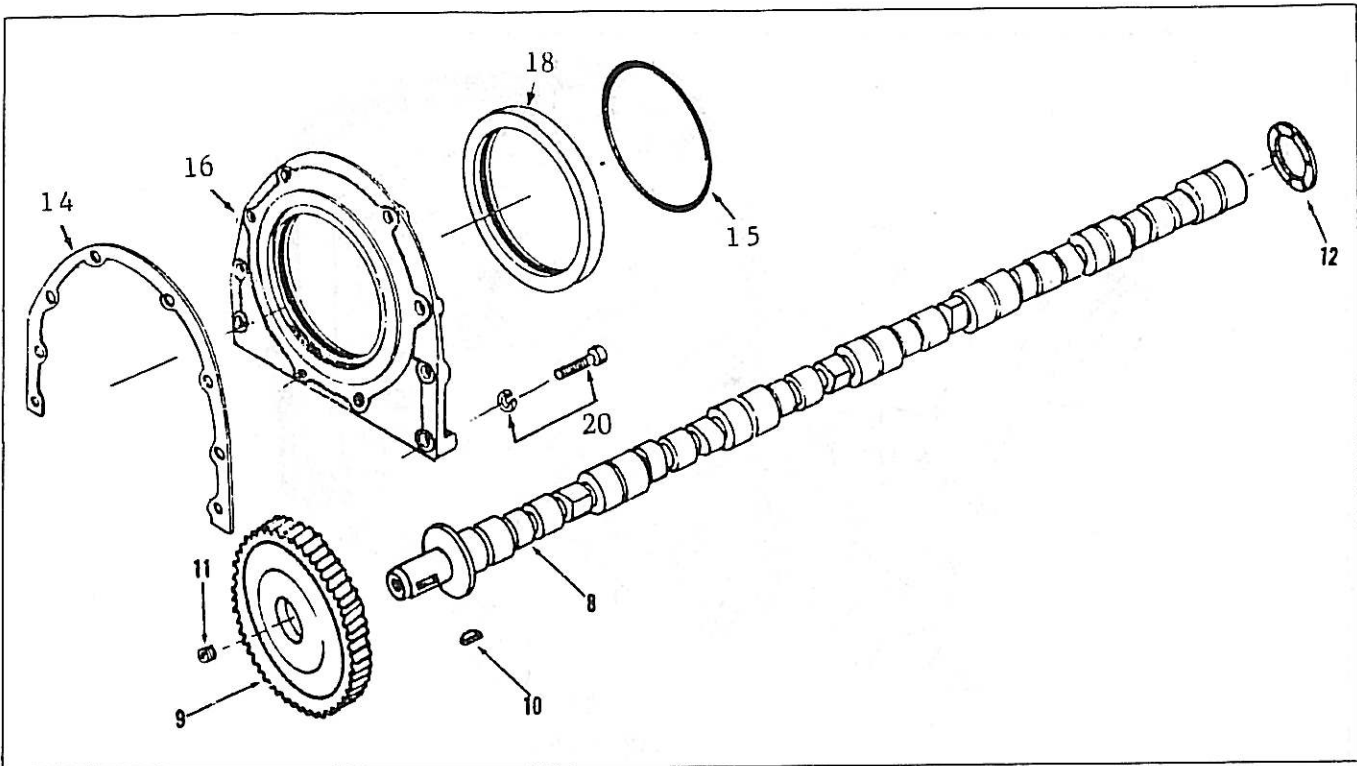
| REF. NO. | PART NUMBER | PART NAME | NO. REQ'D. | REF. NO. | PART NUMBER | PART NAME | NO. REQ'D. |
|----------|-----------------|---|------------|----------|-------------|---------------------------|------------|
| | | CRANKSHAFT | | | | VIBRATION DAMPER | |
| | AR-08566 | Crankshaft assembly | 1 | 14 | S-112-A | Capscrew (1/2" - 20 x 1") | 6 |
| 1 | 208460 | Crankshaft | 1 | 15 | 3017946 | Damper, vibration | 1 |
| 2 | 186286 | Gear, crankshaft | 1 | 18 | 202891 | Flange, crankshaft | 1 |
| 3 | 9300-1 | Key, gear | 1 | 19 | S-608 | Lockwasher (1/2") | 6 |
| 5 | 140410 | Capscrew, self-locking | 1 | | | | |
| 6 | 140411 | Retainer, hub | 1 | | | | |
| | | MAIN BEARINGS | | | | | |
| | 3801260* | Set, main bearing shell | 1 | | | | |
| 7 | 3019198 | Shell, main bearing (No. 7 upper) | 1 | | | | |
| 8 | 3019204 | Shell, main bearing (No. 7 lower) | 1 | | | | |
| 9 | 3019186 | Shell, main bearing (No. 2, 4 and 6 upper) | 3 | | | | |
| 10 | 3019192 | Shell, main bearing (No. 2, 4 and 6 lower) | 3 | | | | |
| 11 | 3019174 | Shell, main bearing (No. 1, 3 and 5 upper) | 3 | | | | |
| 12 | 3019180 | Shell, main bearing (No. 1, 3 and 5 lower) | 3 | | | | |
| 13 | 3019218 | Ring, thrust | 4 | | | | |
| 16 | 60575 | Dowel, ring | 7 | | | | |
| 17 | 202903 | Roll pin, thrust ring | 2 | | | | |
| | | *Main bearings may be purchased in .010", .020", .030", or .040" undersize. | | | | | |
| | 3801261 = .010" | | A/R | | | | |
| | 3801262 = .020" | | A/R | | | | |
| | 3801263 = .030" | | A/R | | | | |
| | 3801264 = .040" | | A/R | | | | |

PARTS INDENTED ARE INCLUDED IN THE PART UNDER WHICH THEY ARE INDENTED



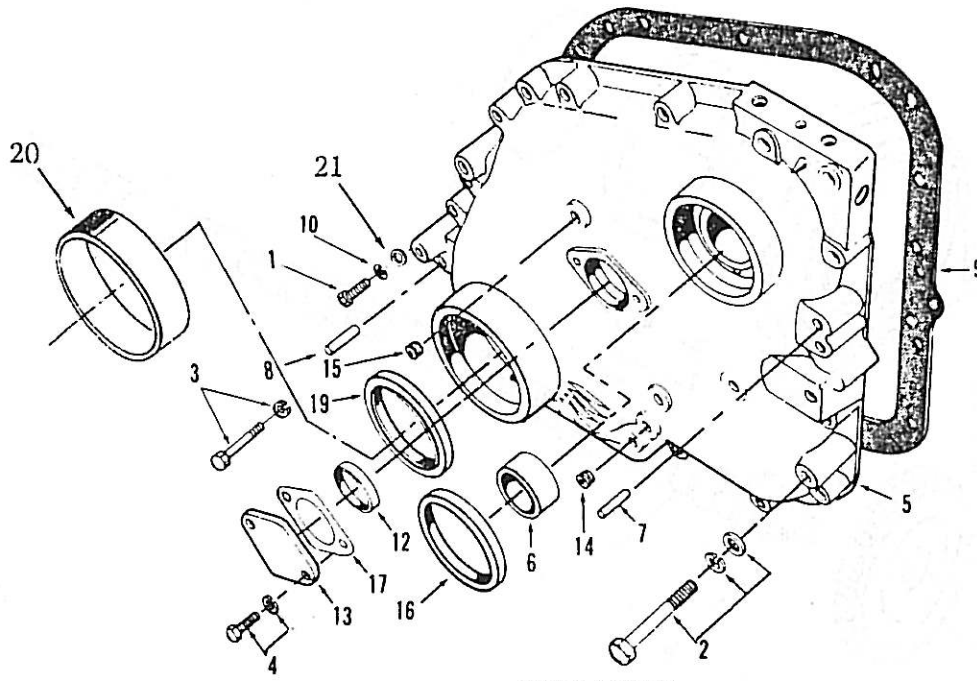
| REF. NO. | PART NUMBER | PART NAME | NO. REQ'D. | REF. NO. | PART NUMBER | PART NAME | NO. REQ'D. |
|-----------------------|-------------|---|------------|---------------------|------------------|-------------------|------------|
| CONNECTING ROD | | | | PISTON RINGS | | | |
| 1 | 3013930 | Connecting rod assembly (218808) | 6 | 3014149 | Ring set, piston | 6 | |
| 2 | 219153 | Bolt, connecting rod | 12 | 10 | 147670 | Ring, compression | 6 |
| 3 | 187420 | Bushing, piston pin | 6 | 11 | 3012332 | Ring, compression | 6 |
| 4 | 70550 | Dowel | 12 | 12 | 218732 | Ring, oil | 6 |
| 5 | 214950* | Shell, connecting rod bearing | 12 | 13 | 214730 | Ring, compression | 6 |
| | | *Connecting rod bearing shells may be purchased in undersize: | | | | | |
| | | P/N 214951 = 0.010" | 12 | | | | |
| | | P/N 214952 = 0.020" | 12 | | | | |
| | | P/N 214953 = 0.030" | 12 | | | | |
| PISTON | | | | | | | |
| | AR-06000 | Piston assembly | 6 | | | | |
| 7 | 191970 | Pin, piston | 6 | | | | |
| 8 | 198660 | Piston | 6 | | | | |
| 9 | 175755 | Ring, snap | 12 | | | | |

PARTS INDENTED ARE INCLUDED IN THE PART UNDER WHICH THEY ARE INDENTED



| REF. NO. | PART NUMBER | PART NAME | NO. REQ'D. | REF. NO. | PART NUMBER | PART NAME | NO. REQ'D. |
|----------|-------------|---------------------------|------------|----------|-------------|-----------|------------|
| | | CAMSHAFT | | | | | |
| 8 | 3801030 | Camshaft (R.H.) (3023228) | 1 | | | | |
| 9 | 109072 | Gear, camshaft | 1 | | | | |
| 10 | 3021601 | Key, gear | 1 | | | | |
| 11 | 68193 | Plug, pipe (1/8") | 1 | | | | |
| 12 | 9235-1 | Ring, thrust | 1 | | | | |
| | | REAR COVER | | | | | |
| 20 | 3010594 | Capscrew | 8 | | | | |
| 14 | 151623 | Gasket, oil seal housing | 1 | | | | |
| 16 | 216165 | Housing, oil seal | 1 | | | | |
| 15 | 137075 | O-ring | 1 | | | | |
| 18 | 3006737 | Seal, crankshaft (211253) | 1 | | | | |

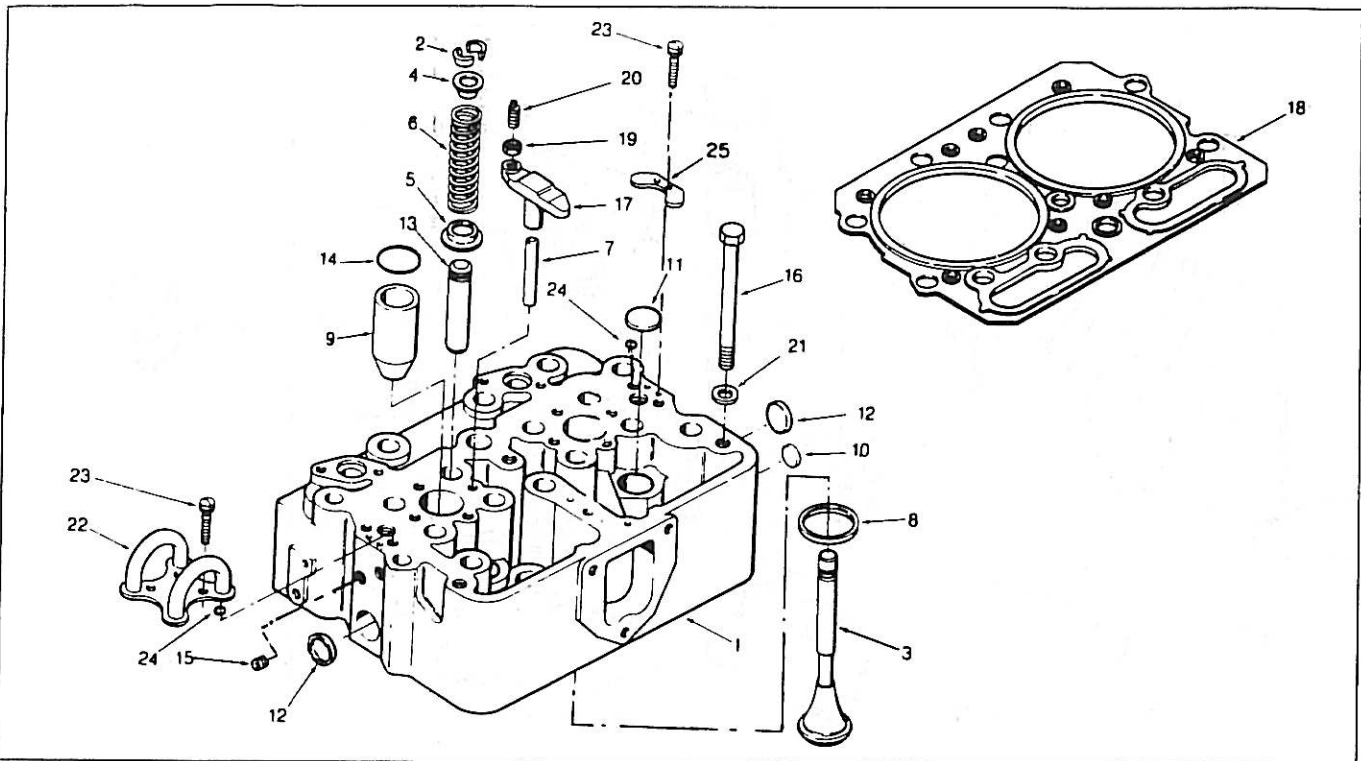
PARTS INDENTED ARE INCLUDED IN THE PART UNDER WHICH THEY ARE INDENTED



GEAR COVER

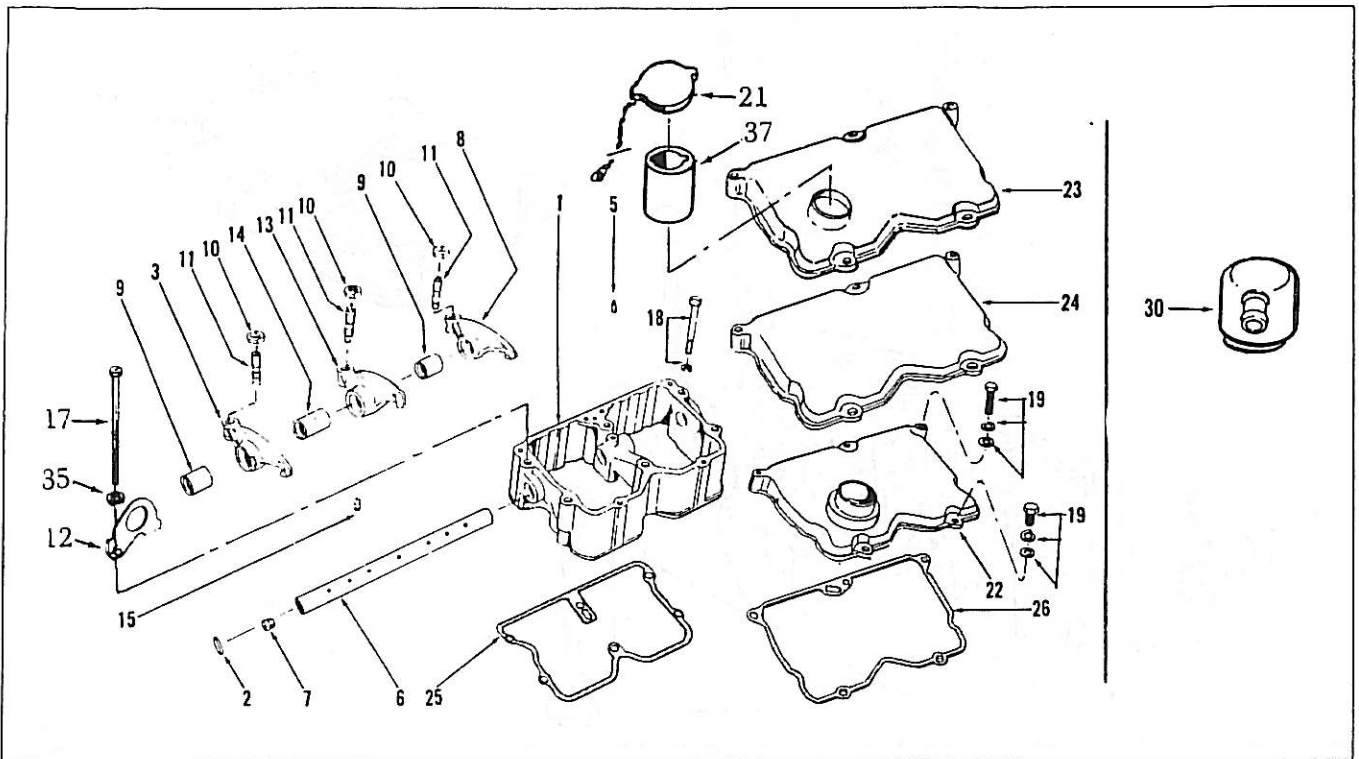
| REF. NO. | PART NUMBER | PART NAME | NO. REQ'D | REF. NO. | PART NUMBER | PART NAME | NO. REQ'D. |
|-------------------|-------------|--------------------------------|-----------|----------|-------------|-----------|------------|
| GEAR COVER | | | | | | | |
| 1 | S-112 | Capscrew (3/8" - 16 x 1") | 2 | | | | |
| 2 | 3011711 | Capscrew and washers | 15 | | | | |
| 3 | 3011713 | Capscrew and washer | 1 | | | | |
| 4 | 3011714 | Capscrew and washer | 2 | | | | |
| 5 | 3024448 | Cover, gear (215375) | 1 | | | | |
| 6 | 132770 | Bushing | 1 | | | | |
| 20 | 68226-1 | Bushing, trunnion | 1 | | | | |
| 7 | 60408 | Dowel | 1 | | | | |
| 8 | 70653 | Dowel | 1 | | | | |
| 9 | 214633 | Gasket, cover | 1 | | | | |
| 10 | S-604 | Lockwasher (3/8") | 2 | | | | |
| 12 | 67270 | Packing, camshaft thrust plate | 1 | | | | |
| 13 | 138988 | Plate, camshaft thrust | 1 | | | | |
| 14 | 3013786 | Plug, pipe (3/8") | 1 | | | | |
| 15 | S-911-B | Plug, pipe (1/8") | 1 | | | | |
| 16 | 211255 | Seal, accessory drive | 1 | | | | |
| | BM-56657 | Shim assembly | 1 | | | | |
| 17 | 68192-A | Shim (.010") | A/R | | | | |
| 17 | 68192-B | Shim (.005") | A/R | | | | |
| 17 | 68192-C | Shim (.002") | A/R | | | | |
| 17 | 185574 | Shim, camshaft thrust (.025) | 1 | | | | |
| 19 | 208069 | Seal, crankshaft oil | 1 | | | | |
| 21 | S-602 | Washer, plain (13/32") | 2 | | | | |

PARTS INDENTED ARE INCLUDED IN THE PART UNDER WHICH THEY ARE INDENTED



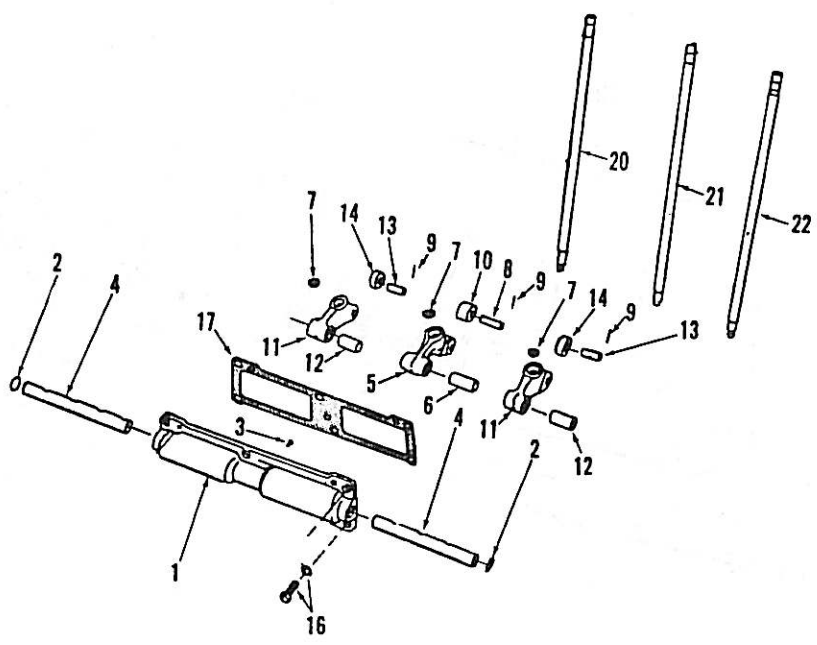
| REF. NO. | PART NUMBER | PART NAME | NO. REQ'D. | REF. NO. | PART NUMBER | PART NAME | NO. REQ'D. |
|----------------------|-------------|--------------------------|------------|-----------------------|-------------|----------------------------|------------|
| CYLINDER HEAD | | | | MOUNTING PARTS | | | |
| 1 | 3007835 | Head, cylinder (3007717) | 3 | 16 | 177734 | Capscrew, head to block | 36 |
| 2 | 127554 | Collet, valve | 48 | | 3030038 | Assembly, crosshead | 12 |
| 3 | 135957 | Valve, intake | 12 | 17 | 3028293 | Crosshead, valve | 12 |
| 3 | 145701 | Valve, exhaust | 12 | 19 | 203131 | Nut | 12 |
| 4 | 170296 | Guide, valve spring | 24 | 20 | 147389 | Screw, crosshead adjusting | 12 |
| 5 | 172034 | Guide, valve spring | 24 | 21 | 69699 | Washer, cylinder head | 36 |
| 6 | 178869 | Spring, exhaust valve | 12 | 18 | 3014443 | Gasket, cylinder head | 3 |
| 6 | 211999 | Spring, intake valve | 12 | 22 | 147100 | Crossover, fuel | 2 |
| 7 | 3007833 | Head, cylinder (3007717) | 3 | 23 | 70772 | Capscrew, springtite | 12 |
| 7 | 123558 | Guide, crosshead | 12 | 24 | 131026 | O-ring | 12 |
| 8 | 127930 | Insert, valve seat | 12 | 25 | 135308 | Fuel retainer | 2 |
| 9 | 3011934 | Sleeve, injector | 6 | | | | |
| 10 | 213394 | Plug, expansion | 3 | | | | |
| 11 | 213395 | Plug, expansion | 18 | | | | |
| 12 | 216524 | Plug, expansion | 6 | | | | |
| 13 | 3006456 | Guide, valve | 24 | | | | |
| 14 | 3007759 | O-ring, injector | 6 | | | | |
| 15 | S-911-B | Plug, pipe | 10 | | | | |

PARTS INDENTED ARE INCLUDED IN THE PART UNDER WHICH THEY ARE INDENTED



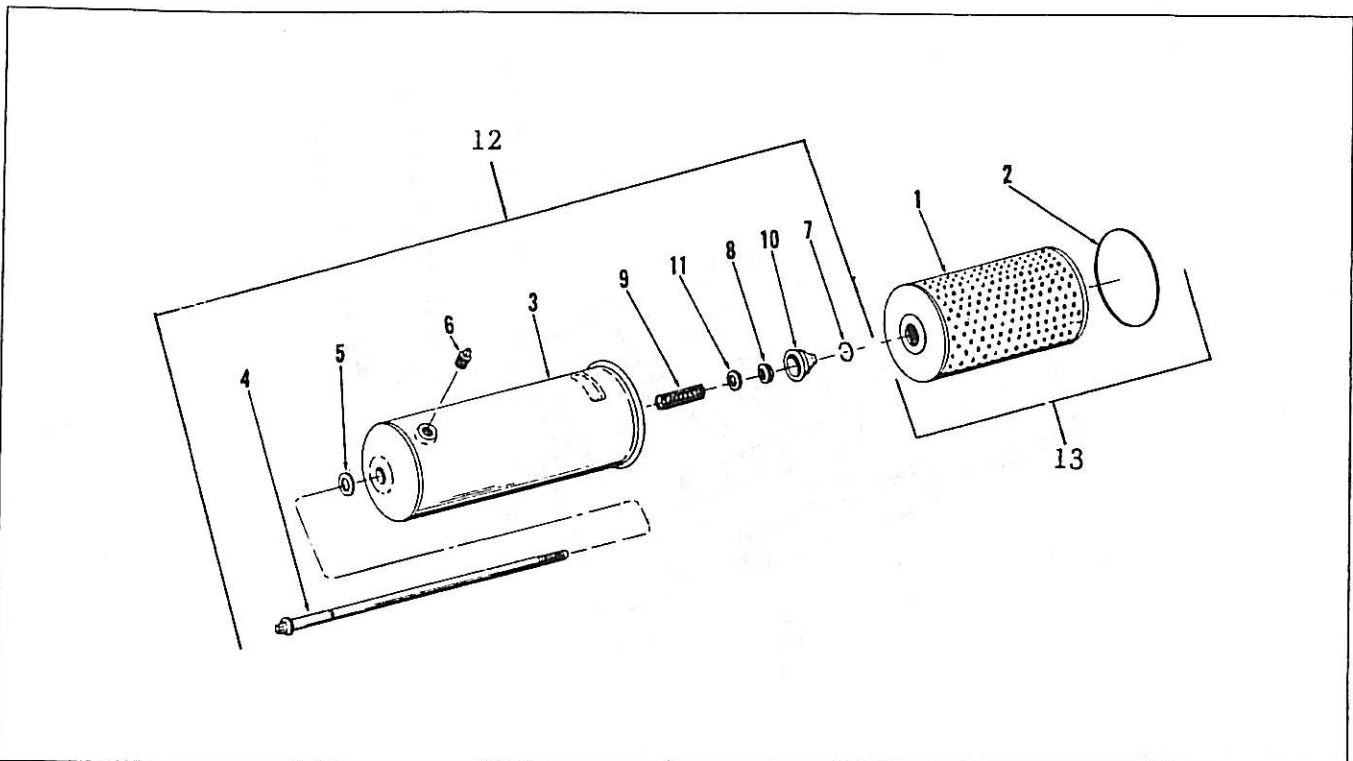
| REF. NO. | PART NUMBER | PART NAME | NO. REQ'D. | REF. NO. | PART NUMBER | PART NAME | NO. REQ'D. |
|----------|-------------|---|------------|----------|-------------|---|------------|
| | | ROCKER LEVER HOUSING, COVER AND BREATHER | | | | ROCKER LEVER HOUSING, COVER AND BREATHER (Cont'd.) | |
| | AR-12952 | Housing, rocker lever | 3 | | | | |
| 1 | 3007242 | Housing, rocker lever | 3 | 12 | 170226 | Bracket, lifting | 2 |
| | 3000521 | O-ring, plug | 6 | 17 | S-176 | Capscrew, lifting bracket | 4 |
| 2 | 161825 | Plug, expansion | 6 | 18 | 3010589 | Capscrew, housing | 18 |
| 5 | 168319 | Screw, Nyloc, rocker lever shaft | 3 | 19 | 3006182 | Capscrew, cover | 15 |
| 6 | 140297 | Shaft, rocker lever | 3 | 21 | 208045 | Cap, oil filler w/chain | 1 |
| 7 | 218736 | Plug, shaft | 6 | 22 | 3006358 | Cover, rear | 1 |
| 8 | BM-95162 | Lever, exhaust valve (169705) | 3 | 23 | AR-51289 | Cover, center (3012297) | 1 |
| 9 | 140330 | Bushing, lever | 3 | 24 | 3006183 | Cover, front | 1 |
| 10 | S-212 | Nut, adjusting screw | 3 | 25 | 3017750 | Gasket, rocker housing | 3 |
| 11 | 168306 | Screw, adjusting | 3 | 26 | 3020980 | Gasket, cover | 3 |
| 3 | BM-95161 | Lever, exhaust valve (169704) | 3 | 35 | S-608 | Lockwasher (1/2") | 4 |
| 9 | 140330 | Bushing, lever | 3 | 36 | 158208 | Washer, plain (1/2") | 15 |
| 10 | S-212 | Nut, adjusting screw | 3 | 37 | S-2902 | Neck, filler | 1 |
| 11 | 168306 | Screw, adjusting | 3 | | | | |
| 8 | BM-95160 | Lever, intake valve (168803) | 3 | | | BREATHER | |
| 9 | 140330 | Bushing, lever | 3 | 30 | 3008595 | Breather, crankcase assembly | 1 |
| 10 | S-212 | Nut, adjusting screw | 3 | | | | |
| 11 | 168306 | Screw, adjusting | 3 | | | | |
| 3 | BM-95159 | Lever, intake valve (168805) | 3 | | | | |
| 9 | 140330 | Bushing, lever | 3 | | | | |
| 10 | S-212 | Nut, adjusting screw | 3 | | | | |
| 11 | 168306 | Screw, adjusting | 3 | | | | |
| 13 | AR-02308 | Lever, injector (218152) | 6 | | | | |
| 14 | 218153 | Bushing, lever | 6 | | | | |
| 15 | 194037 | Socket, injector | 6 | | | | |
| 10 | S-212 | Nut, adjusting screw | 6 | | | | |
| 11 | 213109 | Screw, adjusting | 6 | | | | |

PARTS INDENTED ARE INCLUDED IN THE PART UNDER WHICH THEY ARE INDENTED



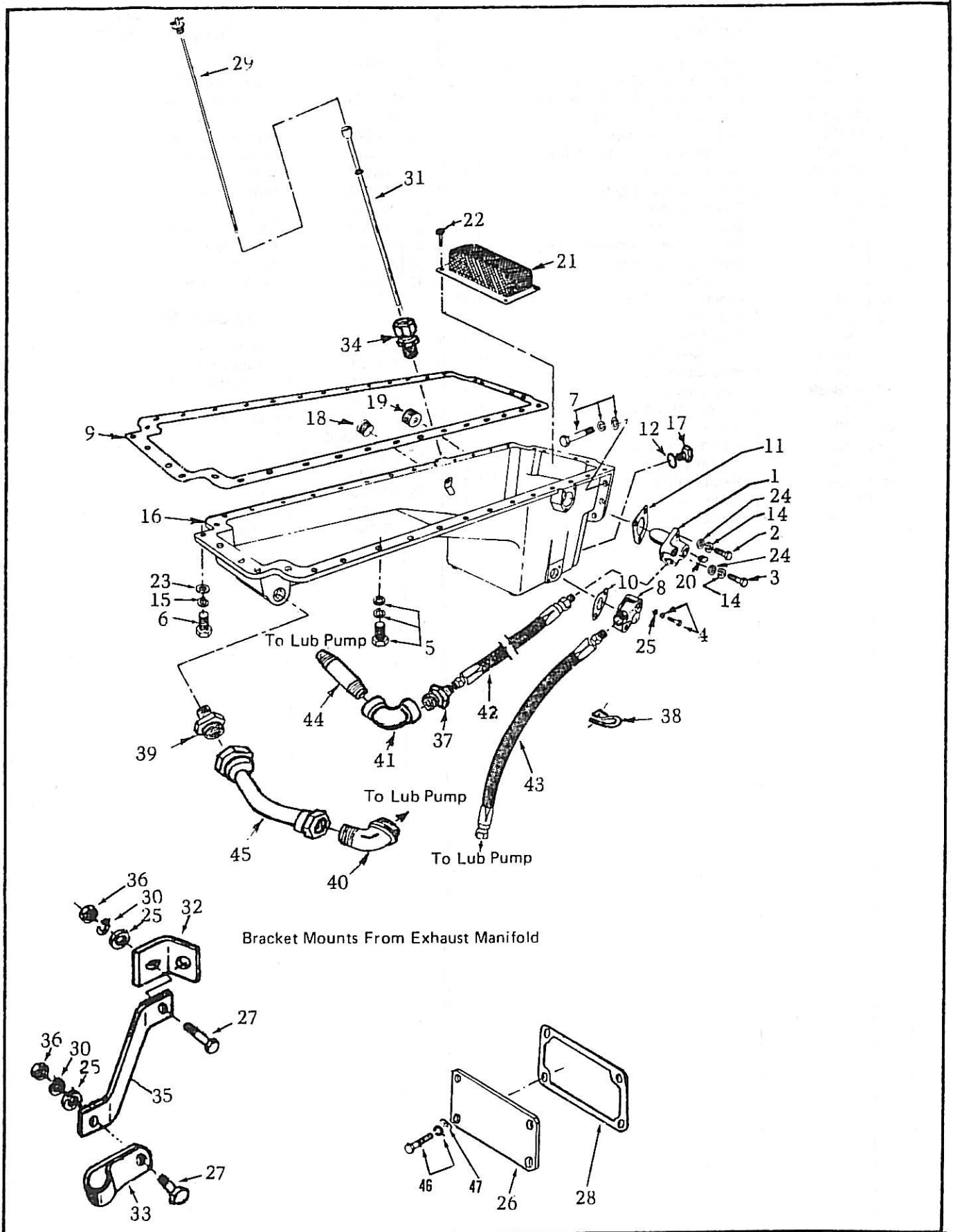
| REF. NO. | PART NUMBER | PART NAME | NO. REQ'D. | REF. NO. | PART NUMBER | PART NAME | NO. REQ'D. |
|-----------------------------|-------------|---|------------|-----------------------|-------------|-------------------------|------------|
| CAM FOLLOWER HOUSING | | | | MOUNTING PARTS | | | |
| | 3018051 | Assembly, cam follower housing | 3 | 16 | 3010593 | Capscrew and washer | 18 |
| 1 | 44035 | Housing | 3 | | AR-51482 | Kit, housing gaskets | 1 |
| 2 | 175831 | Plug, expansion | 6 | 17 | 9266 | Gasket (.014 - .020) | 6 |
| 3 | 69736 | Screw, shaft | 6 | 17 | 9266-A | Gasket (.007") | 6 |
| 4 | 3017031 | Shaft | 6 | 17 | 120819 | Gasket (.027 - .033") | 6 |
| | 3018049 | Cam follower assembly injector | 6 | 17 | 3011272 | Gasket (.020 - .024") | 3 |
| 5 | 3018050 | Cam follower and bushing (3017545) | 6 | 17 | 3011273 | Gasket (.037 - .041") | 3 |
| 6 | 118377 | Bushing | 6 | PUSH RODS | | | |
| 7 | 213559 | Insert | 6 | 21 | 3027215 | Tube assembly, injector | 6 |
| 8 | 3017544 | Pin, roller | 6 | 21 | 112700 | Tube assembly, intake | 6 |
| 9 | 118939 | Pin, roll | 6 | 20 | 210650 | Tube assembly, exhaust | 6 |
| 10 | 7348-2 | Roller, injector cam | 6 | | | | |
| | BM-37634 | Cam follower assembly, intake and exhaust | 12 | | | | |
| 11 | BM-37633 | Cam follower and bushing (120543) | 12 | | | | |
| 12 | 118378 | Bushing | 12 | | | | |
| 7 | 107738 | Insert | 12 | | | | |
| 13 | 68513 | Pin, roller | 12 | | | | |
| 9 | 118939 | Pin, roll | 12 | | | | |
| 14 | 9260-1 | Roller, valve cam | 12 | | | | |

PARTS INDENTED ARE INCLUDED IN THE PART UNDER WHICH THEY ARE INDENTED



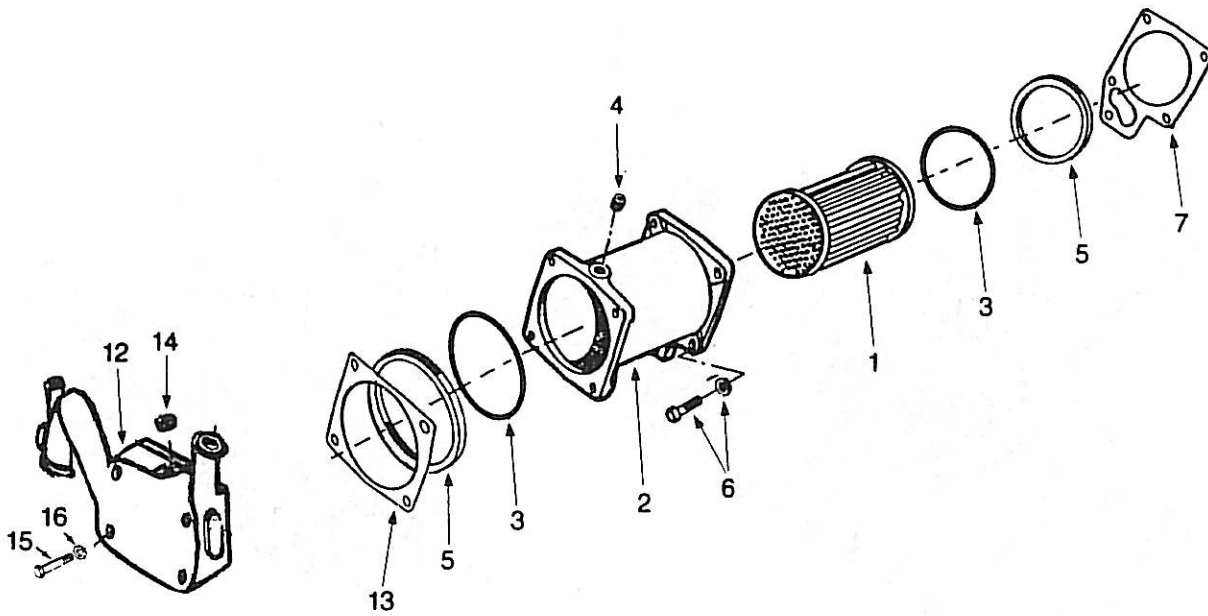
| REF. NO. | PART NUMBER | PART NAME | NO. REQ'D. | REF. NO. | PART NUMBER | PART NAME | NO. REQ'D. |
|----------|-------------|-------------------------------|------------|----------|-------------|-----------|------------|
| | | LUBRICATING OIL FILTER | | | | | |
| | 257526 | Assembly, oil filter | 1 | | | | |
| 1 | 158139 | Cartridge (LF-516) | 1 | | | | |
| 2 | 153528 | Seal, shell to filter head | 1 | | | | |
| 12 | 165286 | Shell and bolt | 1 | | | | |
| 3 | 153516 | Shell (153513) | 1 | | | | |
| 4 | 3301954 | Bolt | 1 | | | | |
| 5 | 8365 | Gasket, copper | 1 | | | | |
| 6 | 69901 | Plug, pipe | 1 | | | | |
| 7 | 3301956 | Ring, snap | 1 | | | | |
| 8 | 153518 | Seal, bolt | 1 | | | | |
| 9 | 153519 | Spring, cartridge | 1 | | | | |
| 10 | 153521 | Support, cartridge | 1 | | | | |
| 11 | 153520 | Washer, bolt | 1 | | | | |
| 13 | AR-51480 | Cartridge and seal | 1 | | | | |
| 1 | 158139 | Cartridge (LF-516) | 1 | | | | |
| 2 | 153528 | Seal, shell to filter head | 1 | | | | |

PARTS INDENTED ARE INCLUDED IN THE PART UNDER WHICH THEY ARE INDENTED



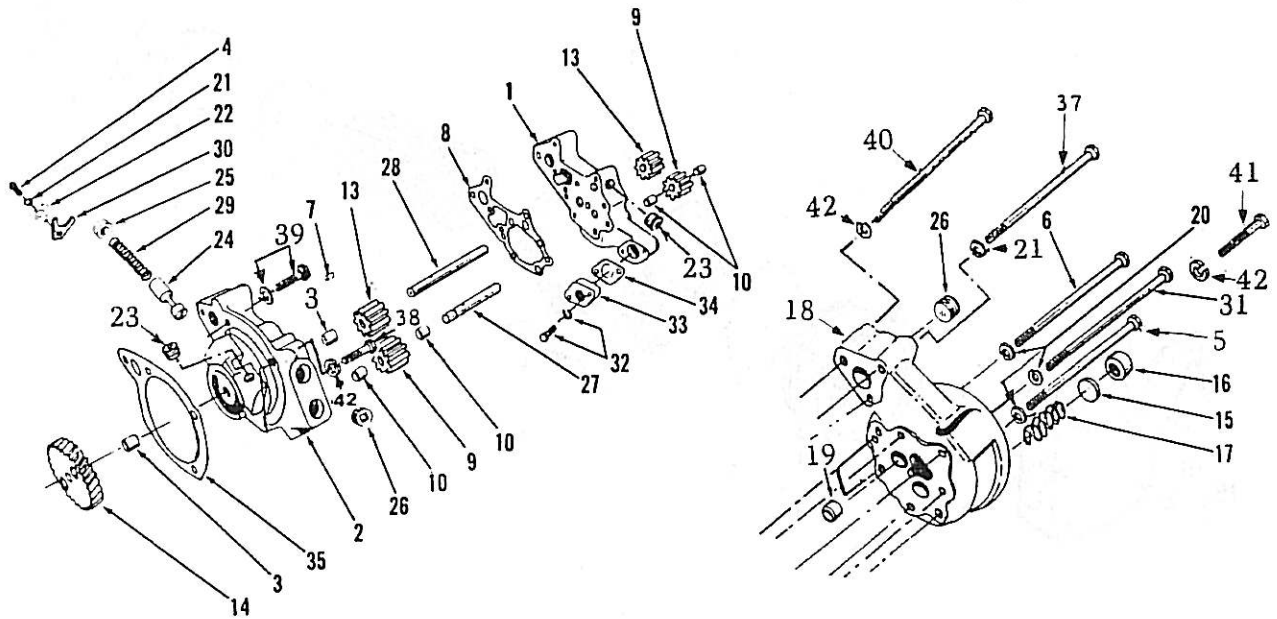
| REF. NO. | PART NUMBER | PART NAME | NO. REQ'D. | REF. NO. | PART NUMBER | PART NAME | NO. REQ'D. |
|----------|-------------|--------------------------------|------------|----------|-------------|---------------------------|------------|
| | | OIL PAN | | | | OIL GAUGE BRACKET | |
| 1 | 204531 | Aerator, oil pan | 1 | 26 | 158145 | Cover, oil gauge | 1 |
| 2 | S-119 | Capscrew (5/16" - 18 x 1-1/4") | 2 | 27 | S-112 | Capscrew (3/8" - 16 x 1") | 2 |
| 3 | S-147-B | Capscrew (5/16" - 18 x 2-1/2") | 1 | 46 | 3010595 | Capscrew and washer | 4 |
| 4 | 3012473 | Capscrew and washer | 2 | 28 | 65274 | Gasket, cover | 1 |
| 5 | 3008069 | Capscrew and washer | 28 | 29 | 204993 | Gauge, dipstick | 1 |
| 6 | 185804 | Capscrew (7/16" - 14 x 1-3/8") | 4 | 30 | S-604 | Lockwasher (3/8") | 2 |
| 7 | 3017050 | Capscrew and washer | 4 | 31 | 204587 | Tube, dipstick | 1 |
| 8 | 179688 | Flange, lubricating oil | 1 | 32 | 139395 | Bracket, tube support | 1 |
| 9 | 3027983 | Gasket, oil pan | 1 | 33 | 200064 | Clamp, tube | 1 |
| 11 | 110453 | Gasket, aerator | 1 | 34 | 163759 | Connector, tube | 1 |
| 10 | 157551 | Gasket, lubricating oil flange | 1 | 35 | 204966 | Brace, tube | 1 |
| 12 | 67946 | Gasket, drain plug | 1 | 36 | S-223 | Nut, tube support bracket | 2 |
| 14 | S-605 | Lockwasher (5/16") | 3 | 47 | S-602 | Washer, plain | 4 |
| 15 | S-610 | Lockwasher (7/16") | 4 | | | LUBE OIL HOSE | |
| 16 | 199068 | Pan, oil | 1 | | | | |
| 17 | 69962 | Plug, drain | 1 | 37 | 67944 | Adapter, hose | 1 |
| 18 | S-910-B | Plug, pipe (1/4") | 1 | 38 | 114421 | Clamp, hose | 2 |
| 19 | S-915-A | Plug, pipe (1/2") | 1 | 39 | S-1074 | Connector, tube | 1 |
| 20 | 3008469 | Plug, pipe (3/4") | 1 | 40 | S-1075 | Elbow, tube | 1 |
| 21 | 20622 | Screen, lubricating oil plate | 1 | 41 | S-987 | Elbow, pipe | 1 |
| 22 | S-1354 | Screw | 4 | 42 | AS1602906MS | Hose | 1 |
| 23 | S-622 | Washer (15/32") | 4 | 43 | AS1603506MS | Hose | 1 |
| 24 | S-626 | Washer (11/32") | 3 | 44 | S-939-B | Nipple, close | 1 |
| 25 | S-602 | Washer (13/32") | 4 | 45 | 202603 | Tube | 1 |
| | 200845 | Thread, insert | 1 | | S-1076 | Nut | 2 |
| | 67946 | Washer, plain | 1 | | S-1077 | Sleeve | 2 |

PARTS INDENTED ARE INCLUDED IN THE PART UNDER WHICH THEY ARE INDENTED



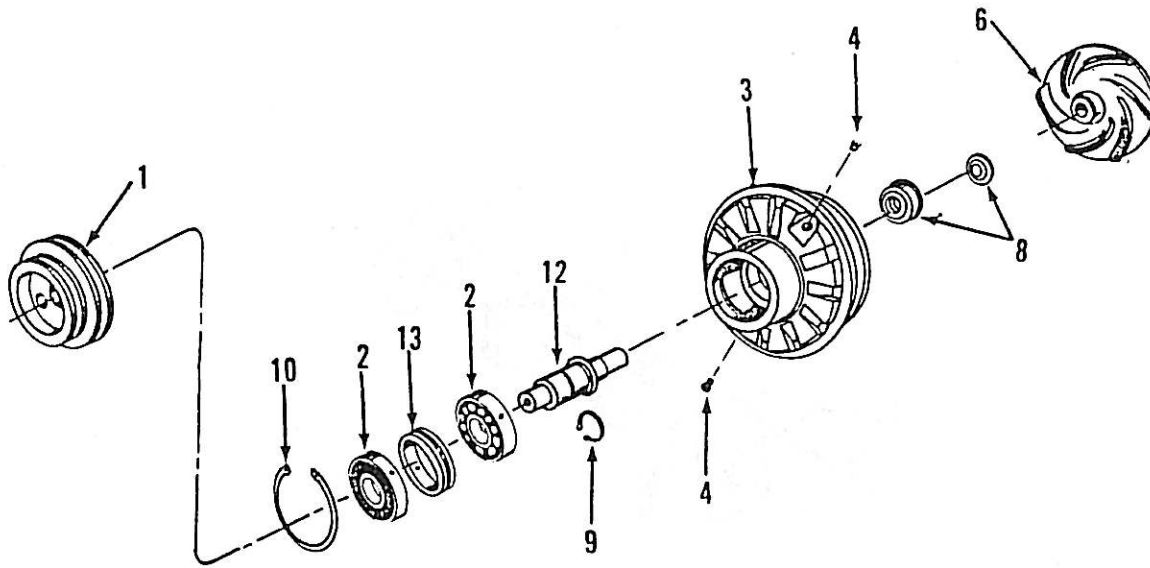
| REF. NO. | PART NUMBER | PART NAME | NO. REQ'D. | REF. NO. | PART NUMBER | PART NAME | NO. REQ'D. |
|----------|-------------|---------------------------------|------------|----------|-------------|-----------|------------|
| | BM-57837 | Lubricating oil cooler assembly | 1 | | | | |
| 1 | 110848 | Element | 1 | | | | |
| 2 | 127863 | Housing | 1 | | | | |
| 3 | 3019116 | O-ring | 2 | | | | |
| 4 | 3008466 | Plug, pipe | 2 | | | | |
| 5 | 110827 | Retainer, O-ring | 2 | | | | |
| 6 | 3010596 | Capscrew and washer | 5 | | | | |
| 7 | 3008017 | Gasket | 1 | | | | |
| 12 | 3030464 | Cover, lube cooler | 1 | | | | |
| 13 | 68210 | Gasket, connection | 1 | | | | |
| 14 | 3008469 | Plug, pipe (3/4") | 1 | | | | |
| 15 | S-126 | Capscrew (3/8" - 16 x 2-1/2") | 4 | | | | |
| 16 | S-604 | Lockwasher | 4 | | | | |
| | 3013786 | Plug, pipe | 3 | | | | |
| | AR-51481 | Gasket kit, oil cooler | 1 | | | | |
| 3 | 3019116 | Ring, packing | 2 | | | | |
| 7 | 3008017 | Gasket, block | 1 | | | | |
| 13 | 68210 | Gasket, cover | 1 | | | | |

PARTS INDENTED ARE INCLUDED IN THE PART UNDER WHICH THEY ARE INDENTED



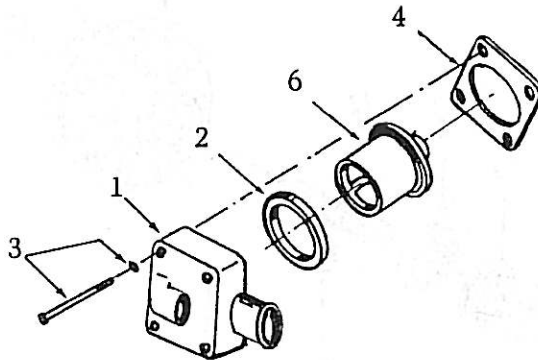
| REF. NO. | PART NUMBER | PART NAME | NO. REQ'D. | REF. NO. | PART NUMBER | PART NAME | NO. REQ'D. |
|----------|-------------|--------------------------------|------------|----------|-------------|---|------------|
| | | LUBRICATING OIL PUMP | | | | MOUNTING PARTS | |
| | BM-94082 | Pump assembly, lub. oil | 1 | 39 | 3012479 | Capscrew and washer | 2 |
| 1 | 151917 | Body, inner | 1 | 40 | 69960 | Capscrew, hex head (7/16" - 20 x 6-1/2") | 1 |
| 2 | AR-51234 | Body and bushing (164162) | 1 | 41 | 169657 | Capscrew, hex head (7/16" - 20 x 7-1/4") | 1 |
| 3 | 68586 | Bushing | 2 | | | | |
| 4 | S-109 | Capscrew (3/8" - 16 x 7/8") | 1 | 32 | 3010596 | Capscrew and washer | 2 |
| 5 | S-130-A | Capscrew (3/8" - 16 x 5-1/4") | 3 | 33 | 203502 | Flange, scavenger pump | 1 |
| 6 | S-169-A | Capscrew (3/8" - 16 x 4-1/2") | 2 | 34 | 134285 | Gasket, flange to body | 1 |
| 31 | S-199-A | Capscrew (3/8" - 16 x 4") | 1 | 35 | 3031434 | Gasket, pump to block | 1 |
| 37 | 101662 | Capscrew (5/16" - 18 x 4-1/2") | 2 | 42 | S-610 | Lockwasher (7/16") | 2 |
| 38 | 3012480 | Capscrew and washer | 1 | | | | |
| 7 | 69519 | Dowel | 2 | | | | |
| 8 | 151911 | Gasket, housing | 2 | | | | |
| 9 | 3017065 | Gear and bushing (68589) | 2 | | | | |
| 10 | 68586 | Bushing | 4 | | | | |
| 13 | 68588 | Gear, impeller drive | 2 | | | | |
| 14 | 3025198 | Gear, main drive | 1 | | | | |
| | BM-94081 | Head, filter | 1 | | | | |
| 15 | 200819 | Disc, by-pass | 1 | | | | |
| 16 | 153526 | Seat, by-pass | 1 | | | | |
| 17 | 251152 | Spring | 1 | | | | |
| 18 | BM-94080 | Head, filter (197093) | 1 | | | | |
| 19 | 68586 | Bushing | 1 | | | | |
| 20 | S-604 | Lockwasher (3/8") | 7 | | | | |
| 21 | S-605 | Lockwasher (5/16") | 2 | | | | |
| 22 | 109319 | Lockplate | 1 | | | | |
| 24 | 127558 | Plunger, regulator | 1 | | | | |
| 25 | 134596 | Plug, by-pass valve | 1 | | | | |
| 26 | 3008469 | Plug, pipe (3/4") | 2 | | | | |
| 23 | 67622 | Plug, pipe (3/8") | 1 | | | | |
| 27 | 133848 | Shaft, idler | 1 | | | | |
| 28 | 164164 | Shaft, drive | 1 | | | | |
| 29 | 68274 | Spring, by-pass valve | 1 | | | | |
| 30 | 126304 | Yoke, by-pass valve cap | 1 | | | | |

PARTS INDENTED ARE INCLUDED IN THE PART UNDER WHICH THEY ARE INDENTED



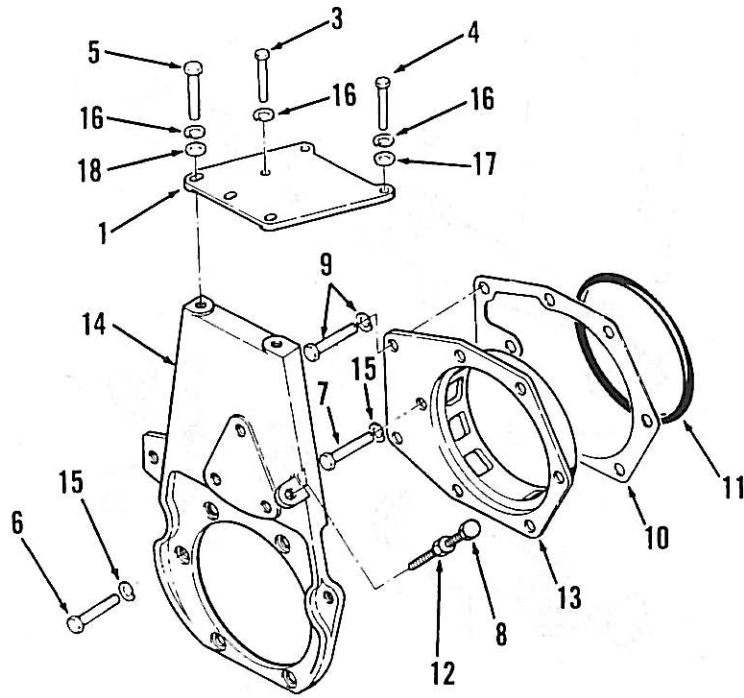
| REF. NO. | PART NUMBER | PART NAME | NO. REQ'D. | REF. NO. | PART NUMBER | PART NAME | NO. REQ'D. |
|----------|-------------|---------------------------|------------|----------|-------------|-----------|------------|
| | | WATER PUMP | | | | | |
| | AR-04284 | Pump, water (with pulley) | 1 | | | | |
| 1 | 154966 | Pulley, water pump | 1 | | | | |
| | AR-04283 | Pump, water (less pulley) | 1 | | | | |
| 2 | 115519 | Bearing, water pump | 2 | | | | |
| 3 | 196845 | Body, water pump | 1 | | | | |
| 4 | S-911-B | Plug, pipe | 2 | | | | |
| 6 | 3020479 | Impeller | 1 | | | | |
| 8 | AR-12732 | Seat and seal assembly | 1 | | | | |
| 9 | 112302 | Ring, retaining | 1 | | | | |
| 10 | S-16255 | Ring, snap | 1 | | | | |
| 12 | 199410 | Shaft, water pump | 1 | | | | |
| 13 | 196844 | Spacer, bearing | 1 | | | | |
| | 3019061 | Belt, water pump | 1 | | | | |

PARTS INDENTED ARE INCLUDED IN THE PART UNDER WHICH THEY ARE INDENTED



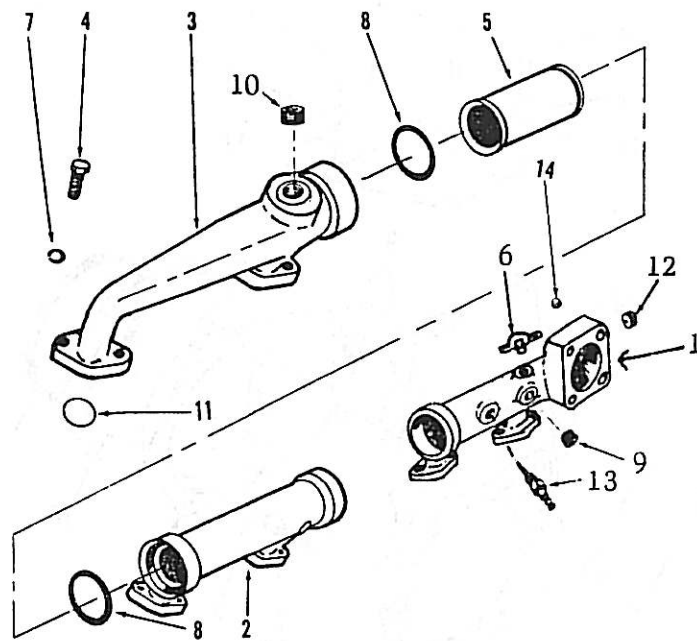
| REF. NO. | PART NUMBER | PART NAME | NO. REQ'D. | REF. NO. | PART NUMBER | PART NAME | NO. REQ'D. |
|----------|-------------|--|------------|----------|-------------|-----------|------------|
| | | THERMOSTAT HOUSING | | | | | |
| 1 | AR-51264 | Housing and seal, thermostat (3013607) | 1 | | | | |
| 2 | 186780 | Seal, thermostat | 1 | | | | |
| 3 | 3010597 | Capscrew and washer | 4 | | | | |
| 4 | 70441 | Gasket, thermostat housing | 1 | | | | |
| 6 | 204586 | Thermostat (175° - 195°) (VD 111854) | 1 | | | | |

PARTS INDENTED ARE INCLUDED IN THE PART UNDER WHICH THEY ARE INDENTED



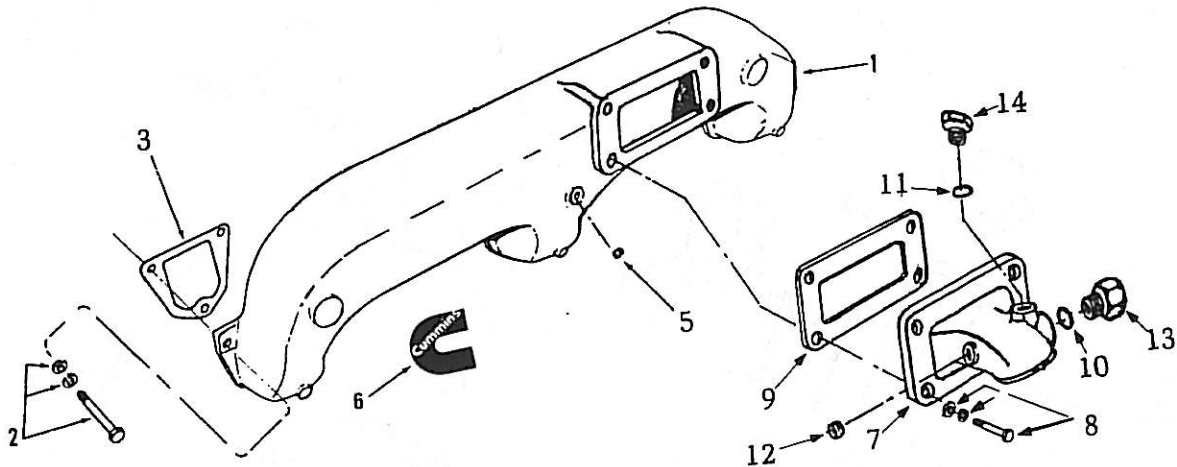
| REF. NO. | PART NUMBER | PART NAME | NO. REQ'D. | REF. NO. | PART NUMBER | PART NAME | NO. REQ'D. |
|----------|-------------|----------------------------|------------|----------|-------------|-----------|------------|
| | | FAN BRACKET SUPPORT | | | | | |
| 1 | 131622 | Brace, fan | 1 | | | | |
| 4 | S-176 | Capscrew | 2 | | | | |
| 5 | 69952 | Capscrew | 2 | | | | |
| 6 | 105831 | Capscrew | 6 | | | | |
| 7 | 106549 | Capscrew | 1 | | | | |
| 8 | 166777 | Capscrew | 1 | | | | |
| 9 | 3010594 | Capscrew and washer | 1 | | | | |
| 10 | 130226 | Gasket | 1 | | | | |
| 11 | 130240 | Gasket | 1 | | | | |
| 12 | S-285 | Nut | 1 | | | | |
| 13 | 130227 | Support | 1 | | | | |
| 14 | 147588 | Support | 1 | | | | |
| 15 | S-604 | Washer, lock | 7 | | | | |
| 16 | S-608 | Washer, lock | 7 | | | | |
| 17 | S-670 | Washer, plain | 2 | | | | |
| 18 | 117267 | Washer, plain | 2 | | | | |

PARTS INDENTED ARE INCLUDED IN THE PART UNDER WHICH THEY ARE INDENTED



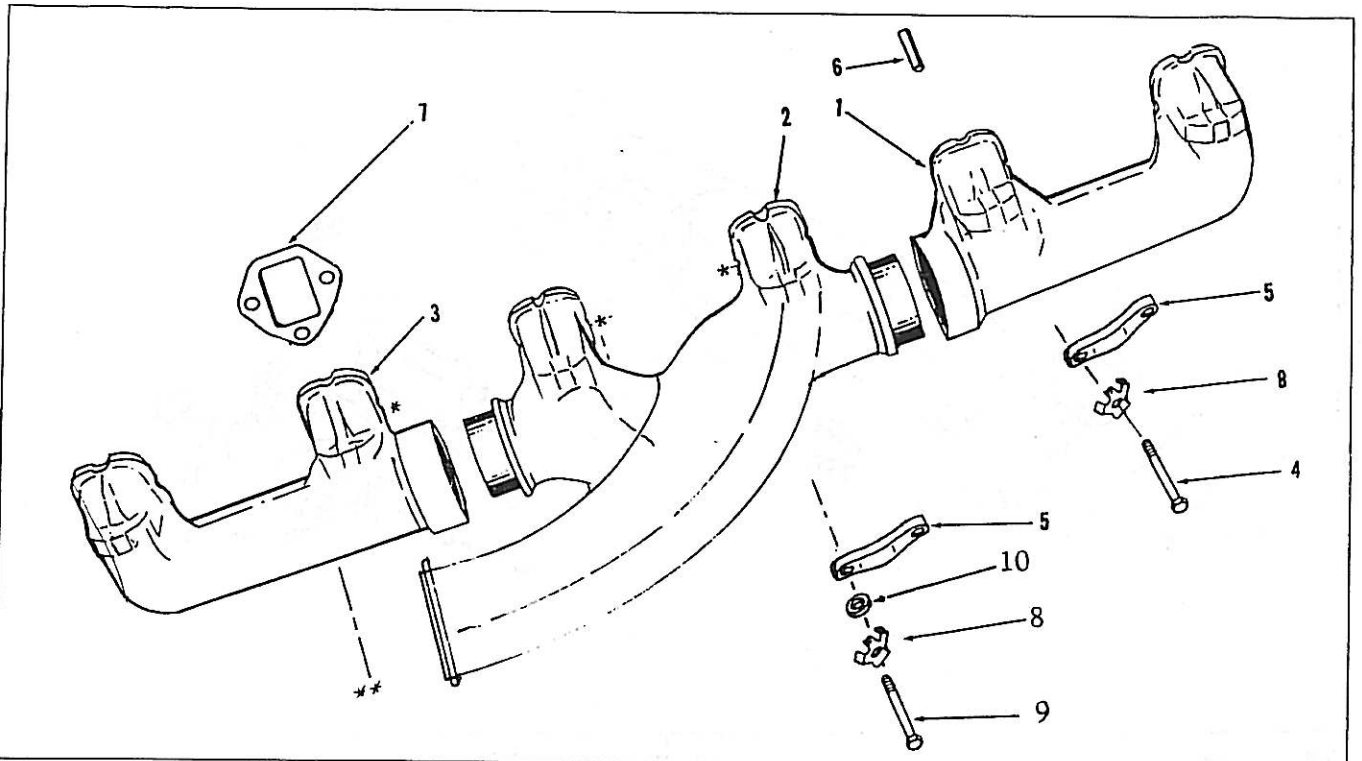
| REF. NO. | PART NUMBER | PART NAME | NO. REQ'D. | REF. NO. | PART NUMBER | PART NAME | NO. REQ'D. |
|-----------------------|-------------|----------------------------------|------------|----------|-------------|-----------|------------|
| WATER MANIFOLD | | | | | | | |
| 1 | 202334 | Manifold, water (front) | 1 | | | | |
| 2 | 3030866 | Manifold, water (center) | 1 | | | | |
| 3 | 3013001 | Manifold, water (rear) | 1 | | | | |
| 4 | 3010596 | Capscrew and washer | 12 | | | | |
| 5 | 130394 | Coupling, manifold | 2 | | | | |
| 6 | S-962-E | Cock, drain | 1 | | | | |
| 8 | 70624 | O-ring, coupling | 4 | | | | |
| 9 | 3008468 | Plug, pipe | 4 | | | | |
| 10 | S-908 | Plug, pipe | 1 | | | | |
| 11 | 148203 | Ring, sealing | 6 | | | | |
| 12 | 3008468 | Plug, pipe | 1 | | | | |
| 13 | 142511 | Sending, unit, water temperature | 1 | | | | |
| 14 | 217632 | Plug, pipe | 1 | | | | |

PARTS INDENTED ARE INCLUDED IN THE PART UNDER WHICH THEY ARE INDENTED



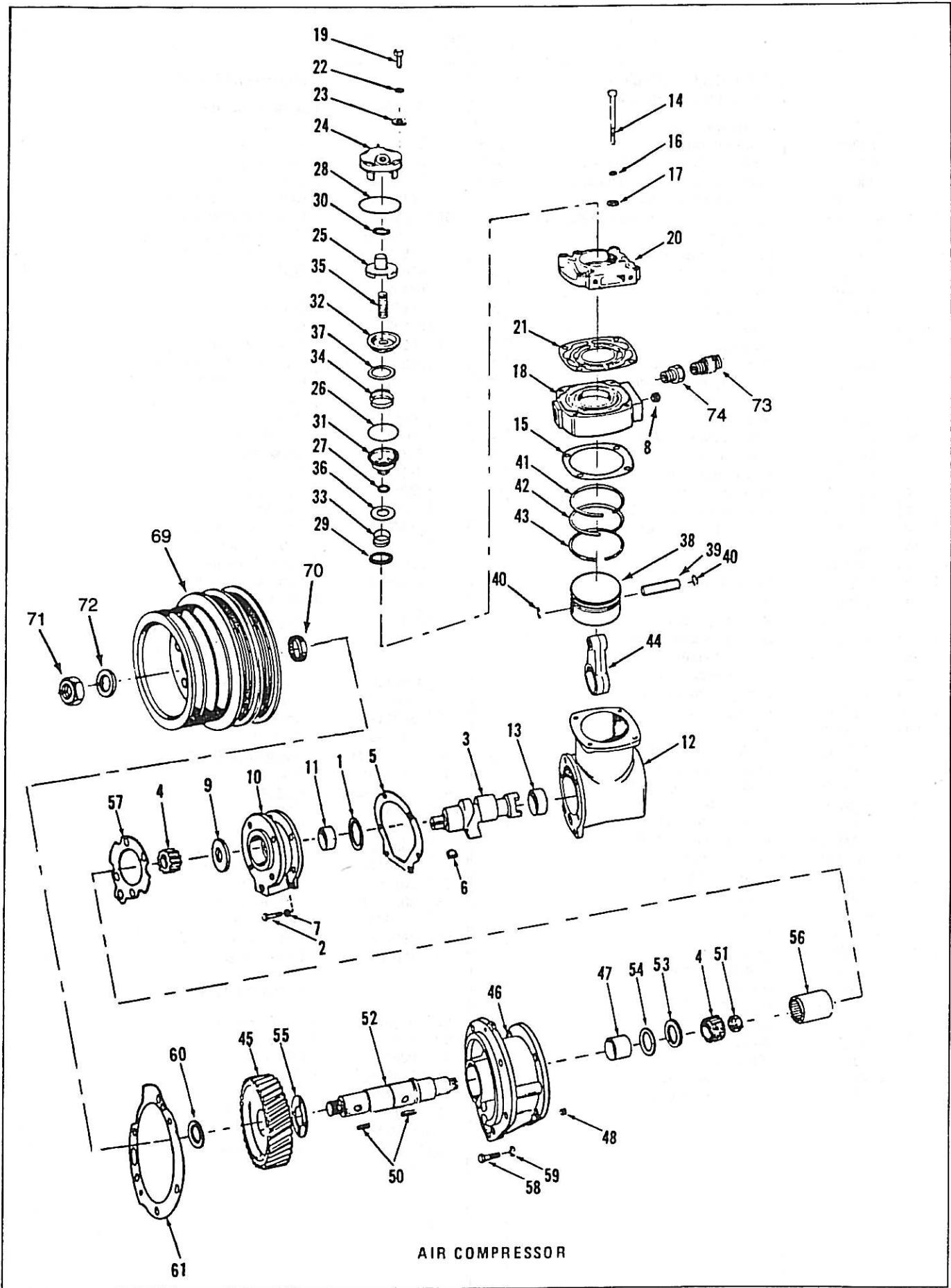
| REF. NO. | PART NUMBER | PART NAME | NO. REQ'D. | REF. NO. | PART NUMBER | PART NAME | NO. REQ'D. |
|------------------------------|-------------|----------------------|------------|----------|-------------|-----------|------------|
| AIR INTAKE MANIFOLD | | | | | | | |
| 1 | 202890 | Manifold, air intake | 1 | | | | |
| 2 | 3011715 | Capscrew and washers | 9 | | | | |
| 3 | 3008591 | Gasket | 3 | | | | |
| 5 | S-910-B | Plug, pipe (1/4") | 2 | | | | |
| 6 | 3027151 | Nameplate | 1 | | | | |
| AIR INTAKE CONNECTION | | | | | | | |
| 7 | 202586 | Connection, intake | 1 | | | | |
| 8 | 3011715 | Capscrew and washers | 4 | | | | |
| 9 | 3012972 | Gasket | 1 | | | | |
| 10 | 67946 | Gasket, copper | 1 | | | | |
| 11 | 138609 | Gasket, plug | 1 | | | | |
| 12 | 3008466 | Plug, pipe | 1 | | | | |
| 13 | 108392 | Plug | 1 | | | | |
| 14 | 138608 | Plug | 1 | | | | |

PARTS INDENTED ARE INCLUDED IN THE PART UNDER WHICH THEY ARE INDENTED



| REF. NO. | PART NUMBER | PART NAME | NO. REQ'D. | REF. NO. | PART NUMBER | PART NAME | NO. REQ'D. | |
|-------------------------|-------------|--|------------|----------|-------------|-----------|------------|--|
| EXHAUST MANIFOLD | | | | | | | | |
| 1 | 194923 | Manifold, exhaust (front) | 1 | | | | | |
| 2 | 210879 | Manifold, exhaust (center) | 1 | | | | | |
| 3 | 194921 | Manifold, exhaust (rear) | 1 | | | | | |
| 4 | 200908 | Capscrew (7/16" - 14 x 4") | 8 | | | | | |
| 5 | 200919 | Clamp | 6 | | | | | |
| 6 | 105199 | Dowel | 6 | | | | | |
| 7 | 142234 | Gasket | 6 | | | | | |
| 8 | 114638 | Lockplate | 12 | | | | | |
| 9 | S-152 | Capscrew (7/16" - 14 x 4-1/4") | 4 | | | | | |
| 10 | S-622 | Spacer | 6 | | | | | |
| | | **Use capscrew Ref. No. 9 (Dipstick tube support bracket mounts on manifold) | | | | | | |
| | | *Expansion tank mounts with (3) manifold capscrews | | | | | | |

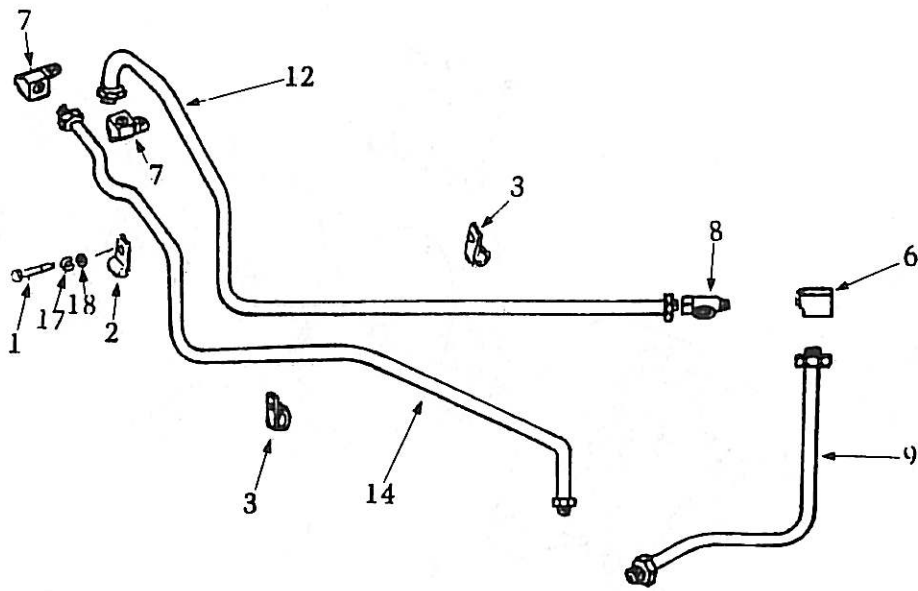
PARTS INDENTED ARE INCLUDED IN THE PART UNDER WHICH THEY ARE INDENTED



AIR COMPRESSOR

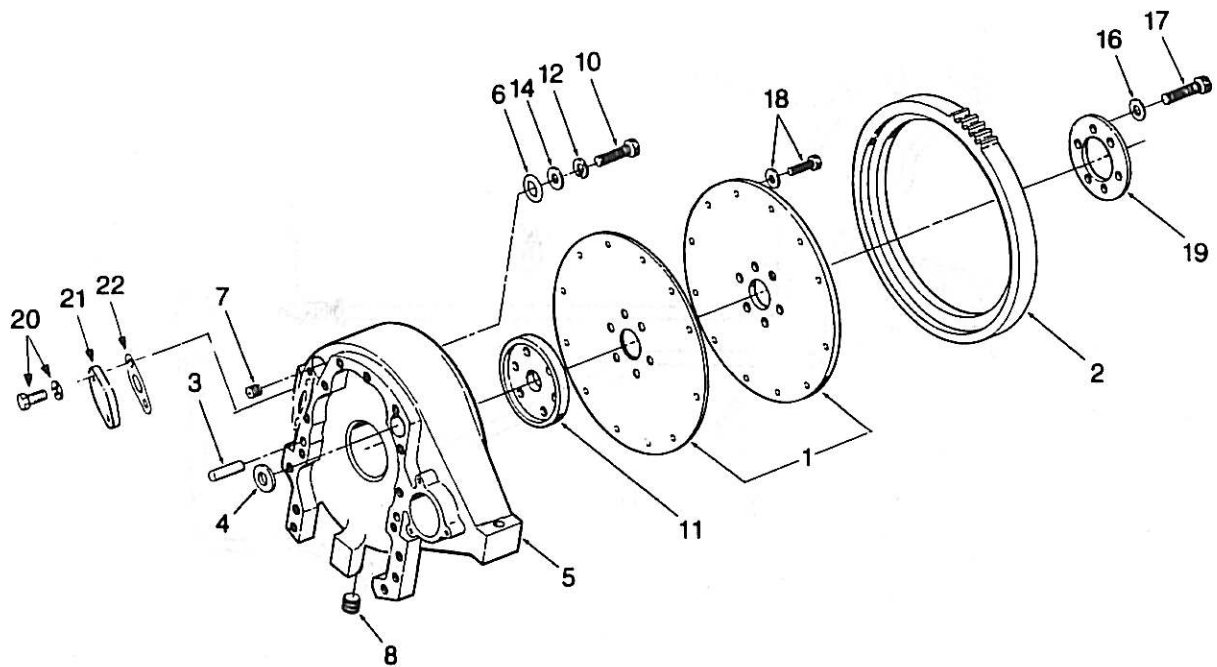
| REF. NO. | PART NUMBER | PART NAME | NO. REQ'D. | REF. NO. | PART NUMBER | PART NAME | NO. REQ'D. |
|----------|-------------|---|------------|----------|-------------|--------------------------------|------------|
| | | AIR COMPRESSOR - COUPLING DRIVEN | | | | MOUNTING PARTS | |
| | 3018527 | Compressor, air | 1 | | 202356 | Bracket, compressor support | 1 |
| 1 | 188040 | Bearing, thrust | A/R | | S-111 | Capscrew | 1 |
| 1 | 188042 | Bearing, thrust .002" oversize | A/R | | S-140 | Capscrew | 2 |
| 1 | 188044 | Bearing, thrust .004" oversize | A/R | | 212752 | Capscrew | 1 |
| 2 | 3010596 | Capscrew and washer | 4 | | 3010592 | Capscrew and washer | 2 |
| 3 | AR-10922 | Crankshaft, compressor (3000167) | 1 | 56 | 3019573 | Capscrew and washer | 2 |
| 4 | 3000174 | Coupling, half | 1 | | 199349 | Coupling, drive | 1 |
| 5 | 176027 | Gasket, support | 1 | | S-1002-A | Connector, flexible tube | 1 |
| | 139761 | Plug, pipe | 1 | | 196282 | Connection, air inlet | 1 |
| | S-965-E | Plug, pipe | 1 | | 43828-A | Clamp, hose | 4 |
| 8 | 3008468 | Plug, pipe (1/2") | 1 | | 68152 | Clip | 1 |
| 9 | 211622 | Washer, thrust | 1 | | S-1005-A | Elbow | 2 |
| 10 | 3005152 | Support | 1 | | S-1090 | Elbow | 1 |
| 12 | 3018491 | Crankcase (176025) | 1 | 57 | 3025890 | Gasket, housing to support | 1 |
| 13 | 147610 | Bushing, crankshaft | 1 | | 3029087 | Gasket, F.P. to air compressor | 1 |
| 14 | S-155-A | Capscrew | 4 | | 157911 | Gasket, air intake connection | 1 |
| 15 | 154018 | Gasket | 1 | | 61554 | Hose | 1 |
| 16 | S-605 | Lockwasher (5/16") | 4 | | 200517 | Hose | 1 |
| | 136403 | Nameplate | 1 | | S-605 | Lockwasher | 2 |
| | S-2286 | Screw, nameplate | 6 | | S-610 | Lockwasher | 3 |
| 17 | S-626 | Washer, plain | 4 | | S-217 | Nut | 2 |
| 18 | AR-13108 | Head, compressor (218793) | 1 | | 3008465 | Plug, pipe | 1 |
| 19 | 3021470 | Capscrew and washer | 2 | | 114850 | Spacer | 1 |
| 20 | 153964 | Cover | 1 | | 215457 | Support, tube | 1 |
| 21 | 154996 | Gasket | 1 | | 204904 | Tube, air supply | 1 |
| 22 | S-605 | Lockwasher (5/16") | 1 | | 204898 | Tube, water inlet | 1 |
| 23 | 109557 | Washer | 2 | | 3031619 | Tube, water outlet | 1 |
| | AR-04154 | Valve assembly | 1 | | 108330 | Washer, plain | 3 |
| 24 | 153966 | Body, unloader valve | 1 | | S-631 | Washer, plain | 1 |
| 25 | 191037 | Cap, unloader | 1 | | | | |
| 26 | 211315 | O-ring, intake valve | 1 | | | ACCESSORY DRIVE | |
| 27 | 128085 | O-ring, exhaust valve | 1 | | 3005136 | Drive, accessory | 1 |
| 28 | 128086 | O-ring, unloader valve | 1 | | 3000173 | Capscrew | 1 |
| 29 | 183429 | Plate, wear | 1 | 4 | 3000174 | Coupling, half | 1 |
| 30 | 127936 | Seal, unloader cap | 1 | 45 | 121933 | Gear | 1 |
| 31 | 144714 | Seat, exhaust valve | 1 | 46 | AR-45724 | Housing (3002171) | 1 |
| 32 | 145028 | Seat, intake valve | 1 | 47 | 116391 | Bearing | 1 |
| 33 | 128080 | Spring, exhaust valve | 1 | 48 | S-911-B | Plug, pipe (1/8") | 2 |
| 34 | 190334 | Spring, intake valve | 1 | 50 | 70550 | Dowel | 2 |
| 35 | 3023101 | Spring, unloader valve | 1 | 51 | 191517 | Nut | 1 |
| 36 | 127940 | Valve, exhaust | 1 | 52 | 3000171 | Shaft | 1 |
| 37 | 144948 | Valve, intake | 1 | 53 | 3014103 | Washer, clamping | 1 |
| | BM-77410 | Piston assembly | 1 | 54 | 3026556 | Washer, thrust | 1 |
| 38 | 165430 | Piston | 1 | 55 | 3026557 | Washer, thrust | 1 |
| 39 | 119810 | Pin | 1 | | 170664 | Washer, plain | 1 |
| 40 | 119859 | Ring, snap | 2 | 69 | 3030506 | Pulley, drive (3030463) | 1 |
| 44 | 3018151 | Rod, assembly | 1 | 70 | 190397 | Sleeve, wear | 1 |
| | 3018153 | Bearing, rod | 1 | | | | |
| | AR-73350 | Ring set | 1 | | | MOUNTING PARTS | |
| 41 | 650330 | Ring, compression | 1 | 58 | 3010590 | Capscrew and lockwasher | 5 |
| 42 | 187350 | Ring, compression | 1 | 50 | 70550 | Dowel | 1 |
| 43 | 180810 | Ring, oil control | 1 | 61 | 200809 | Gasket | 1 |
| 73 | S-920 | Nipple, plain pipe | 1 | 71 | 3012526 | Nut, lock | 1 |
| 74 | 3005812 | Reducer coupling | 1 | | 3013786 | Plug, pipe | 1 |
| | | | | 60 | 3008947 | Seal, keyway | 1 |
| | | | | | 3010919 | Pin, roll | 1 |
| | | | | 72 | 193136 | Washer, plain | 1 |

PARTS INDENTED ARE INCLUDED IN THE PART UNDER WHICH THEY ARE INDENTED



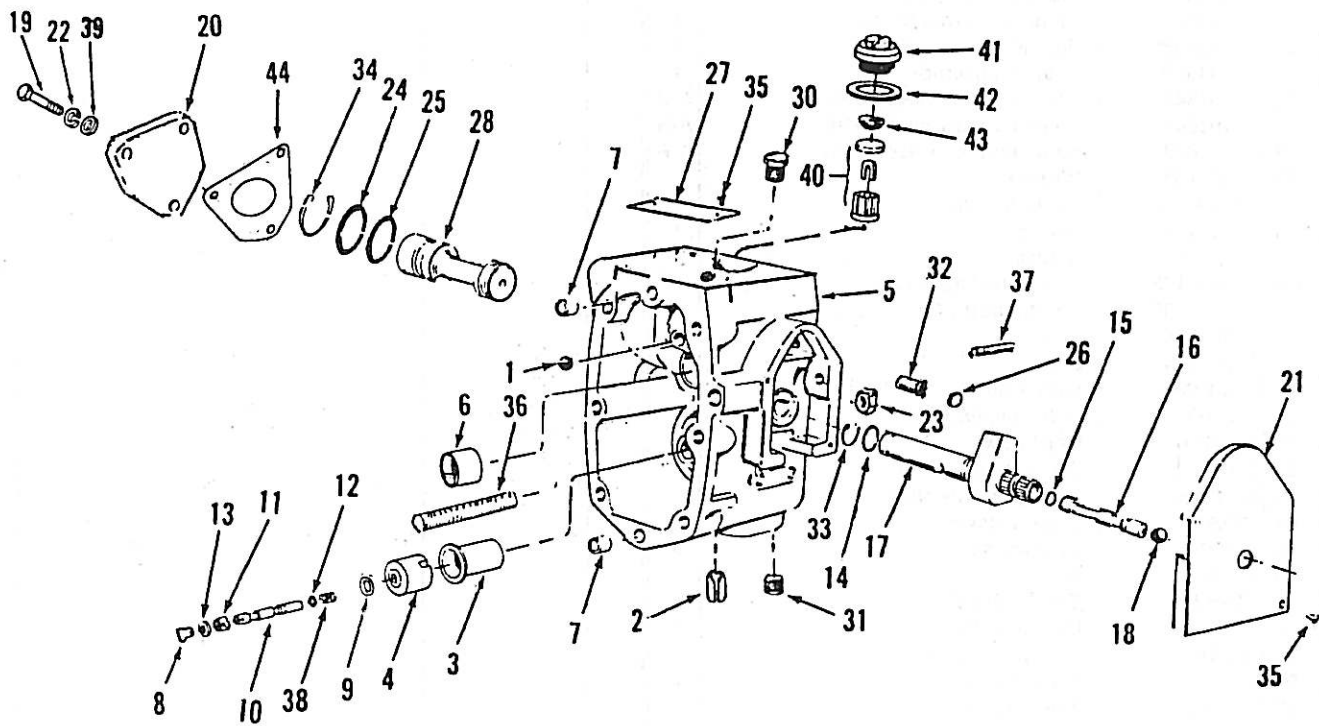
| REF. NO. | PART NUMBER | PART NAME | NO. REQ'D. | REF. NO. | PART NUMBER | PART NAME | NO. REQ'D. |
|----------|-------------|---|------------|----------|-------------|-----------|------------|
| | | FUEL TUBING (St'd. Automotive Gov.) | | | | | |
| | 3011716 | Capscrew and washers | 1 | | | | |
| 1 | S-188-C | Capscrew (1/4" - 20 x 1/2") | 1 | | | | |
| | 137796 | Capscrew (3/8" - 24 x 1/2") | 1 | | | | |
| 2 | 180371 | Clip, tube | 1 | | | | |
| 3 | 180372 | Clip, tube | 2 | | | | |
| 7 | 181213 | Elbow | 2 | | | | |
| 6 | 203849 | Elbow, connector | 1 | | | | |
| | S-600 | Lockwasher (1/4") | 1 | | | | |
| 17 | S-604 | Lockwasher (3/8") | 1 | | | | |
| 8 | 209726 | Tee, fuel by-pass | 1 | | | | |
| 14 | 3000657 | Tube, fuel supply | 1 | | | | |
| 9 | 204917 | Tube, fuel by-pass | 1 | | | | |
| 12 | 204916 | Tube, fuel drain | 1 | | | | |
| | 215218 | Support, fuel tube | 1 | | | | |
| | S-626 | Washer, plain | 1 | | | | |
| 18 | S-631 | Washer, plain | 1 | | | | |
| | S-602 | Washer | 1 | | | | |
| | | AFC FUEL PUMP WITH VS GOV. Same as above except: | | | | | |
| | OMIT: | | | | | | |
| 14 | 3000657 | Tube, fuel supply | 1 | | | | |
| | ADD: | | | | | | |
| 14 | 3006999 | Tube, fuel supply | 1 | | | | |

PARTS INDENTED ARE INCLUDED IN THE PART UNDER WHICH THEY ARE INDENTED



| REF. NO. | PART NUMBER | PART NAME | NO. REQ'D. | REF. NO. | PART NUMBER | PART NAME | NO. REQ'D. |
|----------|-------------|--------------------------|------------|----------|-------------|--------------------------|------------|
| | | FLYWHEEL HOUSING | | | | FLEXPLATE | |
| 3 | 9226 | Dowel, flywheel housing | 2 | | 3007279 | Disc, flexplate assembly | 1 |
| 4 | 9333-1 | Gasket, flywheel housing | 1 | 1 | 3019077 | Flexplate | 1 |
| 5 | 3014979 | Housing, flywheel | 1 | 2 | 217381 | Gear, flywheel ring | 1 |
| 6 | 172648 | Packing, preformed | 9 | 11 | 3007148 | Adapter, crankshaft | 1 |
| 7 | 3008465 | Plug, pipe (1/8") | 1 | 17 | 180175 | Capscrew | 6 |
| 8 | 3008469 | Plug, pipe (3/4") | 1 | 18 | 3011315 | Capscrew and washer | 12 |
| 10 | 138042 | Screw, cap, housing | 9 | 19 | 217385 | Ring, clamping | 1 |
| 12 | S-603 | Washer, lock | 9 | 16 | 200861 | Washer, plain | 6 |
| 14 | 127316 | Washer, plain | 9 | | | | |
| 20 | 3011342 | Capscrew and washer | 2 | | | | |
| 21 | 70657 | Cover, index hole | 1 | | | | |
| 22 | 3021735 | Gasket, cover | 1 | | | | |

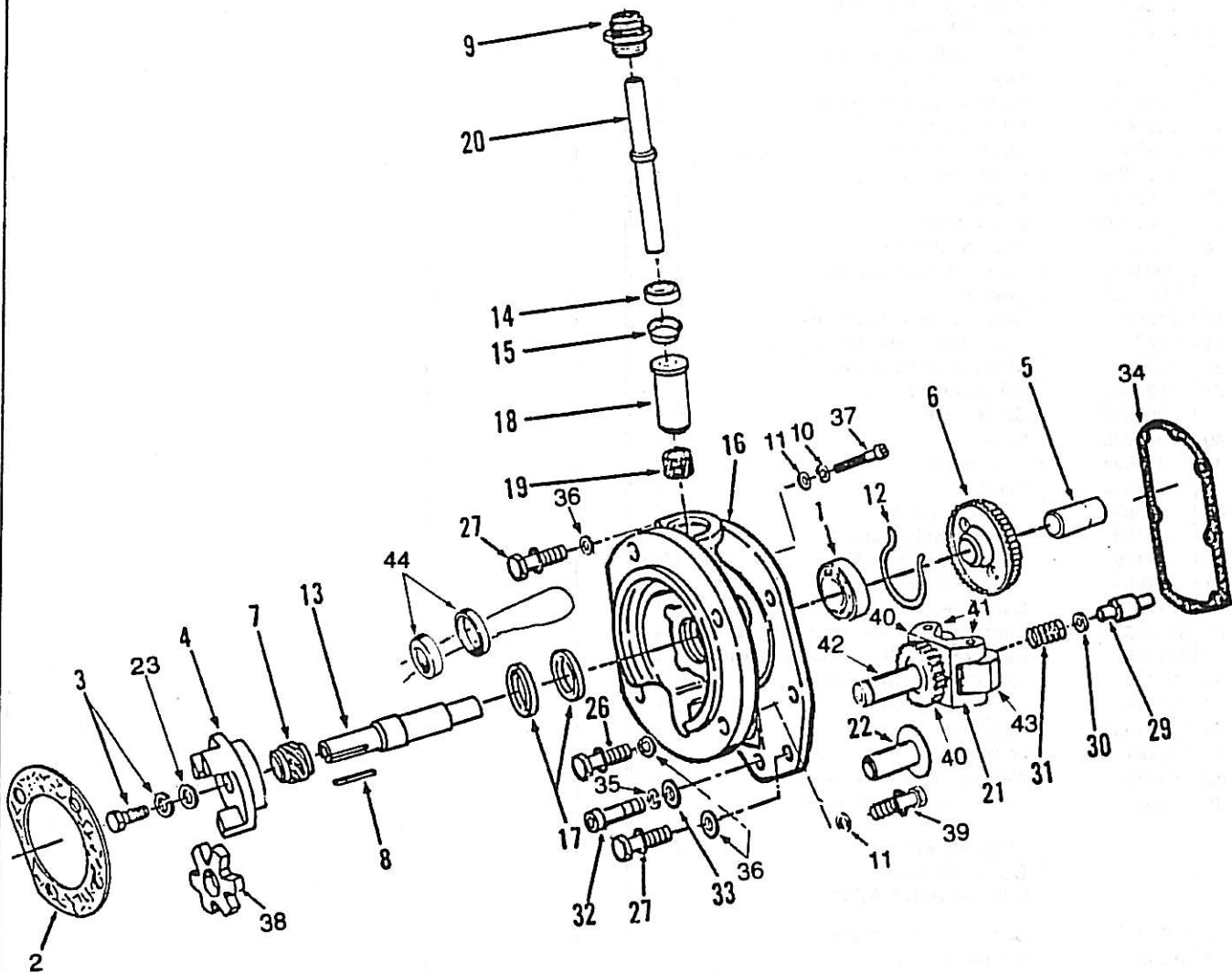
PARTS INDENTED ARE INCLUDED IN THE PART UNDER WHICH THEY ARE INDENTED



FUEL PUMP HOUSING
With AFC Plugged

| REF NO. | PART NUMBER | PART NAME | NO. REQ'D. | REF NO. | PART NUMBER | PART NAME | NO. REQ'D. |
|---------|--------------|------------------------------|------------|---------|-------------|-----------|------------|
| | | FUEL PUMP | | | | | |
| | 3028791-3892 | Fuel pump complete assembly | 1 | | | | |
| | | FUEL PUMP HOUSING | | | | | |
| | 3010043 | Housing (R.H.) | 1 | | | | |
| | 3010042 | Housing | 1 | | | | |
| 1 | 214139 | Ball, plug AFC | 2 | | | | |
| 2 | 163733 | Clip, governor barrel | 1 | | | | |
| 3 | 217798 | Housing, spring pack | 1 | | | | |
| | 209760 | Sleeve, throttle shaft | 1 | | | | |
| 4 | AR-41020 | Barrel, governor | 1 | | | | |
| | (217805) | Barrel, governor auto | 1 | | | | |
| | (3006773) | Sleeve, governor barrel | 1 | | | | |
| 5 | 3013691 | Housing, fuel pump (217795) | 1 | | | | |
| 6 | 100193 | Bushing, tachometer drive | 1 | | | | |
| 7 | 118227 | Dowel | 2 | | | | |
| | 3010810 | Plunger, governor | 1 | | | | |
| 8 | 70690 | Driver, governor plunger | 1 | | | | |
| 10 | 3009380 | Plunger, governor | 1 | | | | |
| 11 | 144302 | Spacer, governor | 1 | | | | |
| 12 | 101841 | Shim, by-pass valve (.005) | A/R | | | | |
| 12 | 101842 | Shim, by-pass valve (.010) | A/R | | | | |
| 12 | 101843 | Shim, by-pass valve (.020) | A/R | | | | |
| 13 | 3027633 | Washer | 1 | | | | |
| | AR-41010 | Shaft, throttle | 1 | | | | |
| 14 | 100478 | O-ring | 1 | | | | |
| 15 | 213768 | O-ring | 1 | | | | |
| 16 | 3006175 | Screw, fuel adjusting | 1 | | | | |
| 17 | 3006430 | Shaft, throttle | 1 | | | | |
| | 3006350 | Shaft | 1 | | | | |
| | 3006343 | Stop | 1 | | | | |
| | 3006344 | Screw, set | 2 | | | | |
| 18 | 213769 | Ball, tamperproof | 1 | | | | |
| 19 | 70772-A | Capscrew | 3 | | | | |
| 20 | 3004904 | Cover, fuel control | 1 | | | | |
| 21 | 3000446 | Cover, throttle shaft | 1 | | | | |
| 44 | 3028064 | Gasket, cover | 1 | | | | |
| 22 | S-600 | Lockwasher | 3 | | | | |
| 23 | S-251 | Nut | 2 | | | | |
| 24 | 145505 | O-ring, barrel | 1 | | | | |
| 25 | 70775 | O-ring, barrel | 1 | | | | |
| 26 | 68061-A | O-ring, valve plug | 1 | | | | |
| 27 | 105375 | Plate, name | 1 | | | | |
| 28 | 3000438 | Plug, barrel | 1 | | | | |
| 29 | 3018655 | Spring, plug | 1 | | | | |
| 30 | 112076 | Plug | 1 | | | | |
| 31 | 3025460 | Plug | 3 | | | | |
| 32 | 3004293 | Plug, valve | 1 | | | | |
| 33 | 163945 | Ring, retaining | 1 | | | | |
| 34 | S-16240 | Ring, snap | 1 | | | | |
| 35 | S-2286 | Screw | 4 | | | | |
| 36 | 109918 | Screw, stop adjusting | 1 | | | | |
| 37 | 195755 | Screw, stop adjusting | 1 | | | | |
| 38 | 138795 | Spring, torque | 1 | | | | |
| 39 | S-631 | Washer, plain | 3 | | | | |
| 40 | 146483 | Assembly, fuel filter screen | 1 | | | | |
| 41 | 157088 | Cap, filter screen | 1 | | | | |
| 42 | 154088 | Ring, cap seal | 1 | | | | |
| 43 | 70700 | Spring, filter | 1 | | | | |

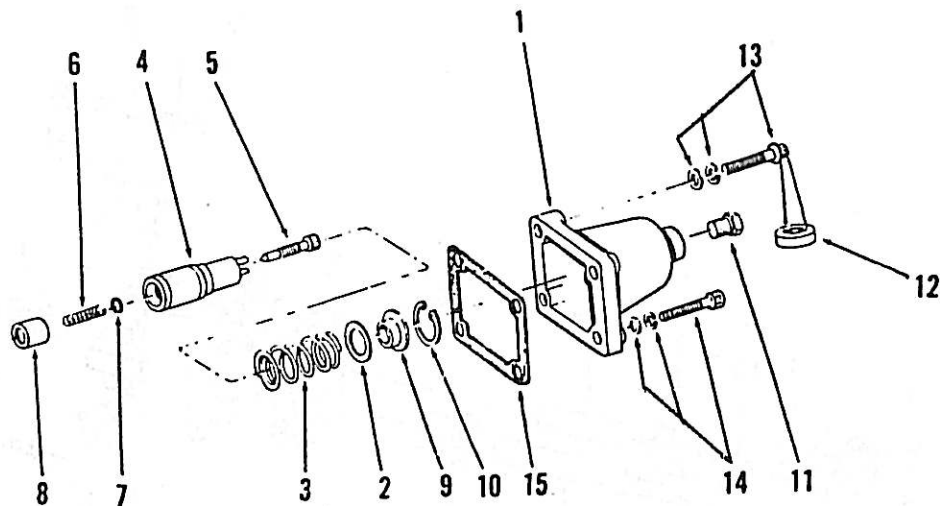
PARTS INDENTED ARE INCLUDED IN THE PART UNDER WHICH THEY ARE INDENTED



MAINSHAFT COVER AND GOVERNOR

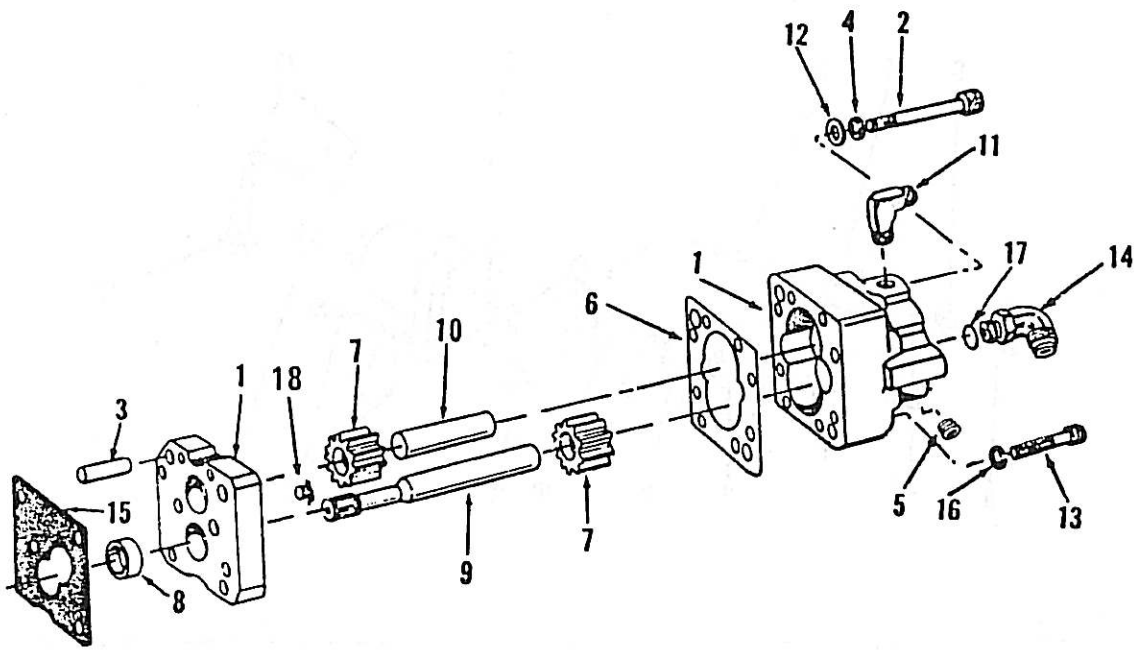
| REF. NO. | PART NUMBER | PART NAME | NO. REQ'D. | REF. NO. | PART NUMBER | PART NAME | NO. REQ'D. |
|----------|-------------|---|------------|----------|-------------|-----------|------------|
| | | MAINSHAFT COVER AND GOVERNOR | | | | | |
| | 3030269 | Mainshaft, cover and governor | 1 | | | | |
| 1 | S-16052 | Bearing | 1 | | | | |
| 3 | 3022589 | Capscrew, captive | 1 | | | | |
| 4 | 212613 | Coupling, F.P. drive | 1 | | | | |
| 5 | 212639 | Coupling, F.P. drive half | 1 | | | | |
| 6 | 212605 | Gear, F.P. drive | 1 | | | | |
| 7 | 212602 | Gear, tachometer drive | 1 | | | | |
| 8 | 212668 | Key, coupling | 1 | | | | |
| 9 | 3002110 | Housing, tachometer drive | 1 | | | | |
| 12 | 212604 | Ring, retaining | 1 | | | | |
| 13 | 212601 | Shaft, F.P. drive | 1 | | | | |
| | 3028368 | Cover and bushing | 1 | | | | |
| 22 | 163944 | Bushing | 1 | | | | |
| 16 | 3028302 | Cover, front | 1 | | | | |
| 14 | 212603 | Seal, tachometer | 1 | | | | |
| 15 | 3004724 | Spacer, tachometer seal | 1 | | | | |
| 17 | 3019962 | Seal, oil | 2 | | | | |
| 18 | 212609 | Bushing, tachometer drive | 1 | | | | |
| 19 | 212610 | Gear, tachometer (driven) | 1 | | | | |
| 20 | 216908 | Shaft, tachometer drive | 1 | | | | |
| 21 | 3024989 | Weight and carrier | 1 | | | | |
| | 3006550 | Carrier, weight | 1 | | | | |
| 40 | 211636 | Gear | 1 | | | | |
| 41 | 211635 | Pin, weight | 2 | | | | |
| 42 | 211633 | Shaft | 1 | | | | |
| 43 | 163826 | Weight, governor | 2 | | | | |
| 29 | 144178 | Plunger, weight assist | 1 | | | | |
| 30 | 144179 | Shim, weight assist | A/R | | | | |
| 31 | 143854 | Spring, weight assist | 1 | | | | |
| 26 | 3017052 | Capscrew, captive cover to housing | 1 | | | | |
| 27 | 3017051 | Capscrew, captive cover to housing | 4 | | | | |
| 28 | 3018682 | Capscrew, captive cover to housing | 1 | | | | |
| 34 | 100764 | Gasket, cover to housing | 1 | | | | |
| 32 | 118226 | Screw, socket head | 1 | | | | |
| 44 | 3003156 | Seal, lead | 1 | | | | |
| 35 | 181466 | Lockwasher | 1 | | | | |
| 33 | 103089 | Washer, cover to housing | 1 | | | | |
| 36 | 70704 | Washer, cover to housing | 6 | | | | |
| | | FUEL PUMP TO COMPRESSOR MOUNTING PARTS | | | | | |
| 37 | 206326 | Capscrew, F.P. to drive | 1 | | | | |
| 38 | 162426 | Coupling, spider | 1 | | | | |
| 2 | 3029087 | Gasket, pump to drive | 1 | | | | |
| 10 | S-610 | Lockwasher | 1 | | | | |
| 11 | 69324 | Washer | 4 | | | | |
| 39 | 3015282 | Capscrew and washer | 3 | | | | |
| 23 | 146160 | Washer, plain | 1 | | | | |

PARTS INDENTED ARE INCLUDED IN THE PART UNDER WHICH THEY ARE INDENTED



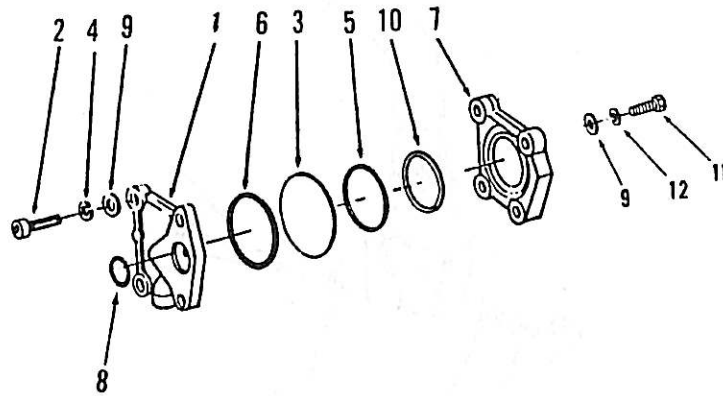
| REF. NO. | PART NUMBER | PART NAME | NO. REQ'D. | REF. NO. | PART NUMBER | PART NAME | NO. REQ'D. |
|-----------------------------|-------------|---------------------------|------------|----------|-------------|-----------|------------|
| GOVERNOR SPRING PACK | | | | | | | |
| 1 | 44678 | Cover, spring pack | 1 | | | | |
| 2 | 70717 | Shim | 1 | | | | |
| 2 | 70717-A | Shim | 1 | | | | |
| 2 | 70717-B | Shim | 1 | | | | |
| 2 | 189800 | Shim | 1 | | | | |
| 3 | 153238 | Spring, governor | 1 | | | | |
| | BM-69889 | Pack assembly, spring | 1 | | | | |
| 4 | BM-67416 | Guide and clip | 1 | | | | |
| 5 | 70716 | Screw | 1 | | | | |
| 6 | 144195 | Spring | 1 | | | | |
| 7 | 70715 | Washer | 1 | | | | |
| 8 | 141632 | Plunger, idle spring (27) | 1 | | | | |
| 9 | 70713 | Retainer | 1 | | | | |
| 10 | S-16240 | Ring, snap | 1 | | | | |
| 11 | 3025459 | Plug | 1 | | | | |
| 12 | 3003156 | Seal, lead | 1 | | | | |
| MOUNTING PARTS | | | | | | | |
| 13 | 3017051 | Capscrew and washers | 2 | | | | |
| 14 | 3017052 | Capscrew and washers | 2 | | | | |
| 15 | 70705 | Gasket | 1 | | | | |

PARTS INDENTED ARE INCLUDED IN THE PART UNDER WHICH THEY ARE INDENTED



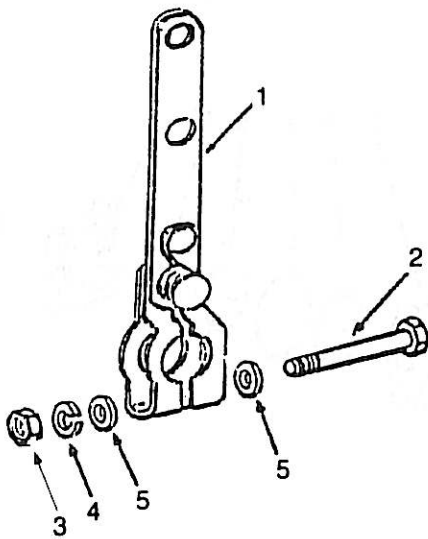
| REF. NO. | PART NUMBER | PART NAME | NO. REQ'D. | REF. NO. | PART NUMBER | PART NAME | NO. REQ'D. |
|-------------------------|-------------|---|------------|----------|-------------|-----------|------------|
| GEAR PUMP — FUEL | | | | | | | |
| 1 | 3014935 | Pump assembly, gear (R.H.) | 1 | | | | |
| | 3024521 | Cover and housing assembly (3016680-175862) | 1 | | | | |
| 2 | S-175-C | Capscrew, cover to housing | 2 | | | | |
| 3 | 64816-A | Dowel, cover to housing | 2 | | | | |
| 4 | 181466 | Lockwasher, cover to housing | 2 | | | | |
| 5 | 3026624 | Plug, pipe | 1 | | | | |
| 6 | 110855 | Gasket, cover to housing | 1 | | | | |
| 7 | 167166 | Gear, pump | 2 | | | | |
| 8 | 101468 | Ring, dowel | 1 | | | | |
| 9 | 167169 | Shaft, pump drive | 1 | | | | |
| 10 | 175866 | Shaft, driven | 1 | | | | |
| 11 | 3027507 | Valve, ball check | 1 | | | | |
| 12 | 70704 | Washer, plain cover to housing | 2 | | | | |
| 18 | 201806 | Valve, pressure | 1 | | | | |
| MOUNTING PARTS | | | | | | | |
| 13 | S-175-C | Capscrew, gear pump housing | 4 | | | | |
| 14 | 203849 | Connection, fuel inlet | 1 | | | | |
| 15 | 3026163 | Gasket, gear pump | 1 | | | | |
| 16 | 181466 | Lockwasher, gear pump to housing | 4 | | | | |
| 17 | 172049* | O-ring | 1 | | | | |
| | | *172049 O-ring is furnished with 203849 connection. | | | | | |
| | | Note: This gear pump is also used on the VS fuel pump (S.O. 26033) | | | | | |

PARTS INDENTED ARE INCLUDED IN THE PART UNDER WHICH THEY ARE INDENTED



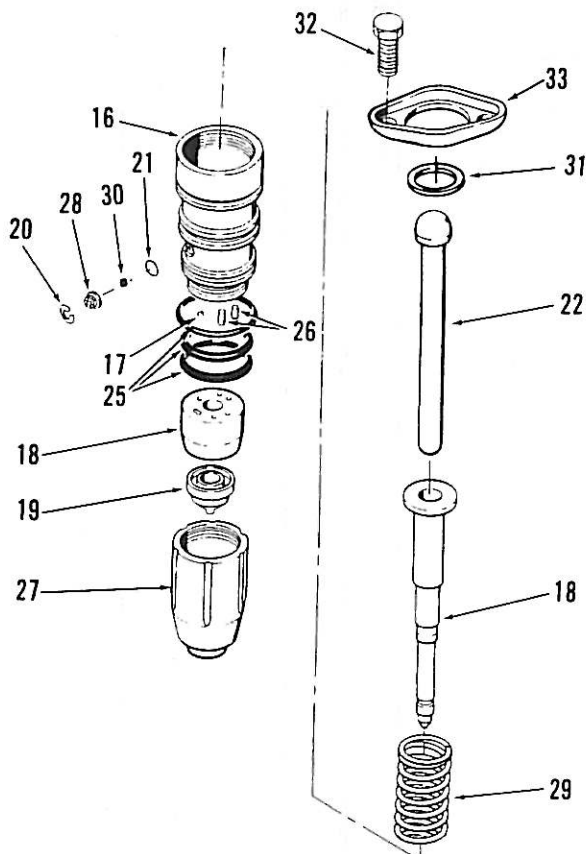
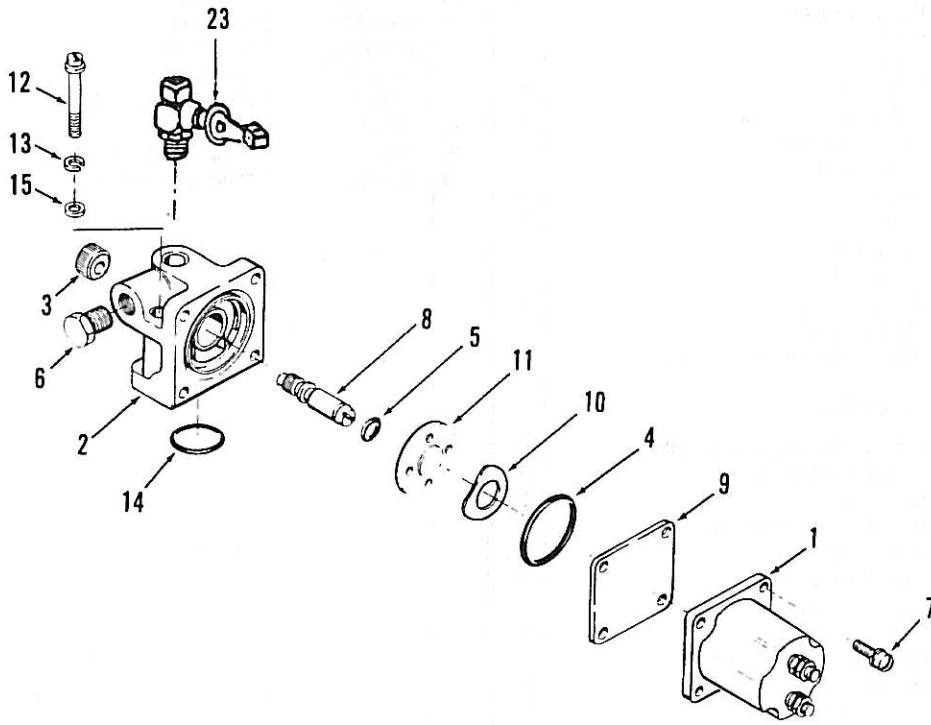
| REF. NO. | PART NUMBER | PART NAME | NO. REQ'D. | REF. NO. | PART NUMBER | PART NAME | NO. REQ'D. |
|---|-------------|-----------------------|------------|----------|-------------|-----------|------------|
| FUEL PUMP DAMPER | | | | | | | |
| | BM-76340 | Damper, fuel pump | 1 | | | | |
| 1 | 153336 | Body, damper | 1 | | | | |
| 2 | S-105-C | Capscrew | 2 | | | | |
| 3 | 202897 | Diaphragm | 1 | | | | |
| 4 | S-600 | Lockwasher | 2 | | | | |
| 5 | 139988 | O-ring | 1 | | | | |
| 6 | 100099 | O-ring | 1 | | | | |
| 7 | 153338 | Plate, damper | 1 | | | | |
| 9 | 70704 | Washer | 2 | | | | |
| 10 | 160514 | Washer, nylon | 1 | | | | |
| MOUNTING PARTS | | | | | | | |
| 11 | 133538 | Capscrew, socket head | 2 | | | | |
| 8 | 151900 | Seal | 1 | | | | |
| 12 | 181466 | Washer, lock | 2 | | | | |
| 9 | 70704 | Washer, plain | 2 | | | | |
| Note: This fuel pump damper is also used on the VS fuel pump (S.O. 26033). | | | | | | | |

PARTS INDENTED ARE INCLUDED IN THE PART UNDER WHICH THEY ARE INDENTED



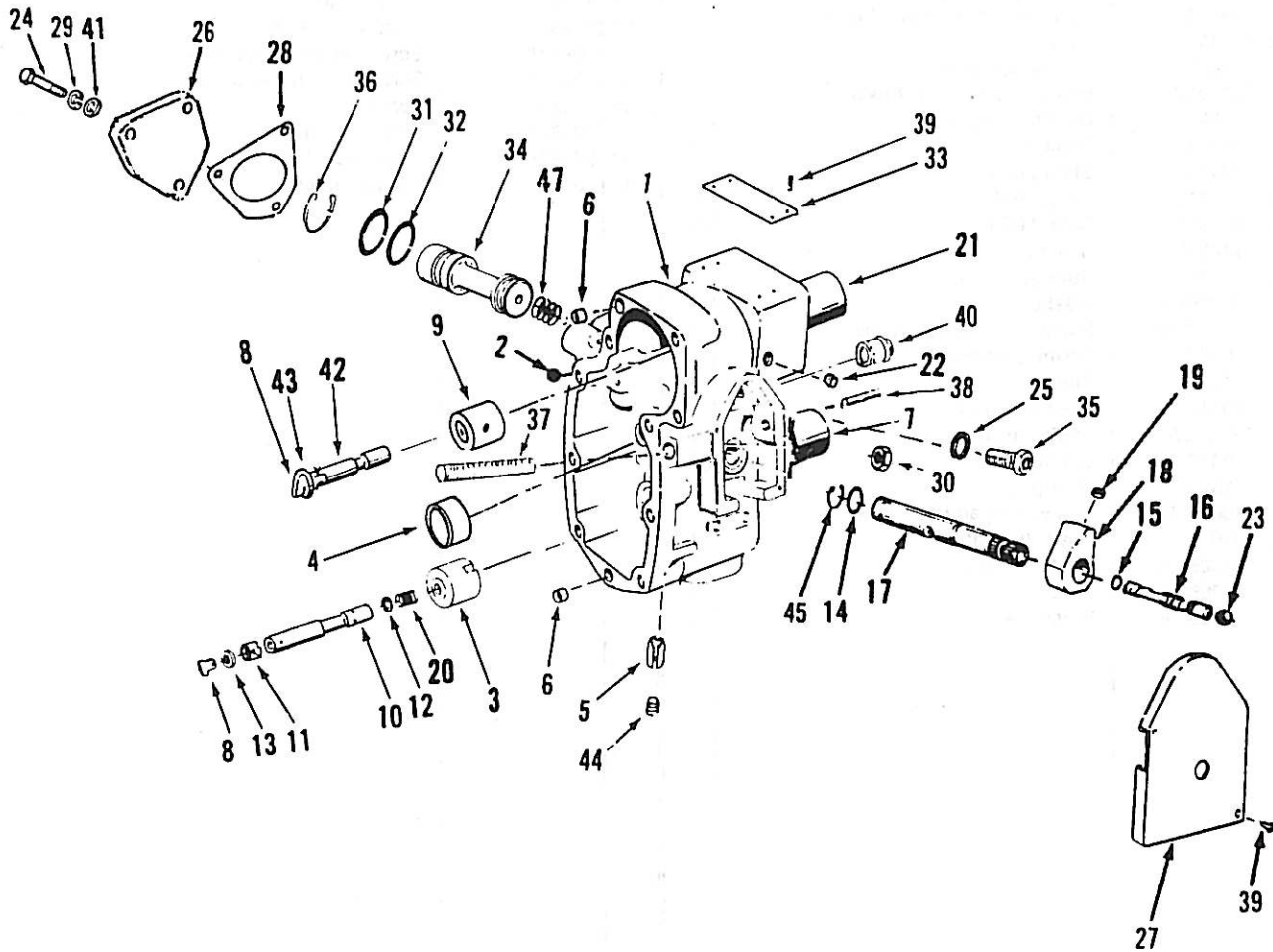
| REF. NO. | PART NUMBER | PART NAME | NO. REQ'D. | REF. NO. | PART NUMBER | PART NAME | NO. REQ'D. |
|----------|-------------|---|------------|----------|-------------|-----------|------------|
| | | THROTTLE LEVER | | | | | |
| 1 | 3012497 | Lever, throttle | 1 | | | | |
| 2 | S-159-B | Capscrew | 1 | | | | |
| 3 | S-251 | Nut | 1 | | | | |
| 4 | S-600 | Washer, lock | 1 | | | | |
| 5 | 70704 | Washer, plain | 2 | | | | |
| | | Note: This throttle lever is also used on VS fuel pump (S.O. 26033). | | | | | |

PARTS INDENTED ARE INCLUDED IN THE PART UNDER WHICH THEY ARE INDENTED



| REF. NO. | PART NUMBER | PART NAME | NO. REQ'D. | REF. NO. | PART NUMBER | PART NAME | NO. REQ'D. |
|----------|-------------|-------------------------------------|------------|----------|-------------|-----------------------------|------------|
| | | SHUTDOWN VALVE | | | AR-51522 | Kit, injector repair | |
| | AR-05535 | Valve, assembly, shutdown (24 volt) | 1 | 17 | 167157 | Ball, check | 1 |
| 1 | 134074 | Coil assembly | 1 | 21 | 173086 | Gasket, orifice plug | 1 |
| 2 | 129826 | Housing, valve | 1 | 28 | 3008706 | Screen | 1 |
| 3 | 129838 | Knob, override | 1 | 20 | 174299 | Clip, screen | 1 |
| 5 | 190876 | O-ring | 1 | 19 | 3012537 | Cup, injector | 1 |
| 4 | 129888 | O-ring | 1 | | AR-51483 | Kit, O-ring | 1 |
| 6 | 3025458 | Plug, pipe | 1 | 25 | 193736 | O-ring | 3 |
| 7 | 187556 | Screw, fillister head | 4 | 30 | 177285 | Plug, orifice (.017) | 1 |
| 8 | 3000266 | Shaft, override | 1 | 30 | 177286 | Plug, orifice (.018) | 1 |
| 9 | 129839 | Shield, fuel | 1 | 30 | 177287 | Plug, orifice (.019) (Std.) | 1 |
| 10 | 129768 | Spring | 1 | 30 | 177288 | Plug, orifice (.020) | 1 |
| 11 | 3030970 | Valve | 1 | | | | |
| 12 | S-189-C | Capscrew | 2 | | | | |
| 13 | 181466 | Lockwasher | 2 | | | | |
| 14 | 154087 | Ring, sealing | 1 | | | | |
| 15 | 67684 | Washer, plain | 2 | | | | |
| 23 | 208087 | Valve, positive shutdown | 1 | | | | |
| | | INJECTOR | | | | | |
| | 3018835 | Injector assembly (less link) | 6 | | | | |
| 16 | 185139 | Adapter, top stop | 6 | | | | |
| 17 | 167157 | Ball, check | 6 | | | | |
| 18 | 3018324 | Barrel, plunger and coupling | 6 | | | | |
| 19 | 3012537 | Cup, injector | 6 | | | | |
| 20 | 174299 | Clip, filter screen | 6 | | | | |
| 21 | 173086 | Gasket, orifice | 6 | | | | |
| 25 | 193736 | O-ring | 18 | | | | |
| 26 | 203426 | Pin, spiral | 12 | | | | |
| 27 | 185138 | Retainer, cup | 6 | | | | |
| 28 | 3008706 | Screen, filter | 6 | | | | |
| 29 | 166009 | Spring, injector | 6 | | | | |
| 31 | 180626 | Washer, clamp | 6 | | | | |
| | | INJECTOR MOUNTING | | | | | |
| 22 | 191916 | Link | 6 | | | | |
| 33 | 3031137 | Clamp | 6 | | | | |
| 32 | 3028279 | Capscrew, self locking | 12 | | | | |

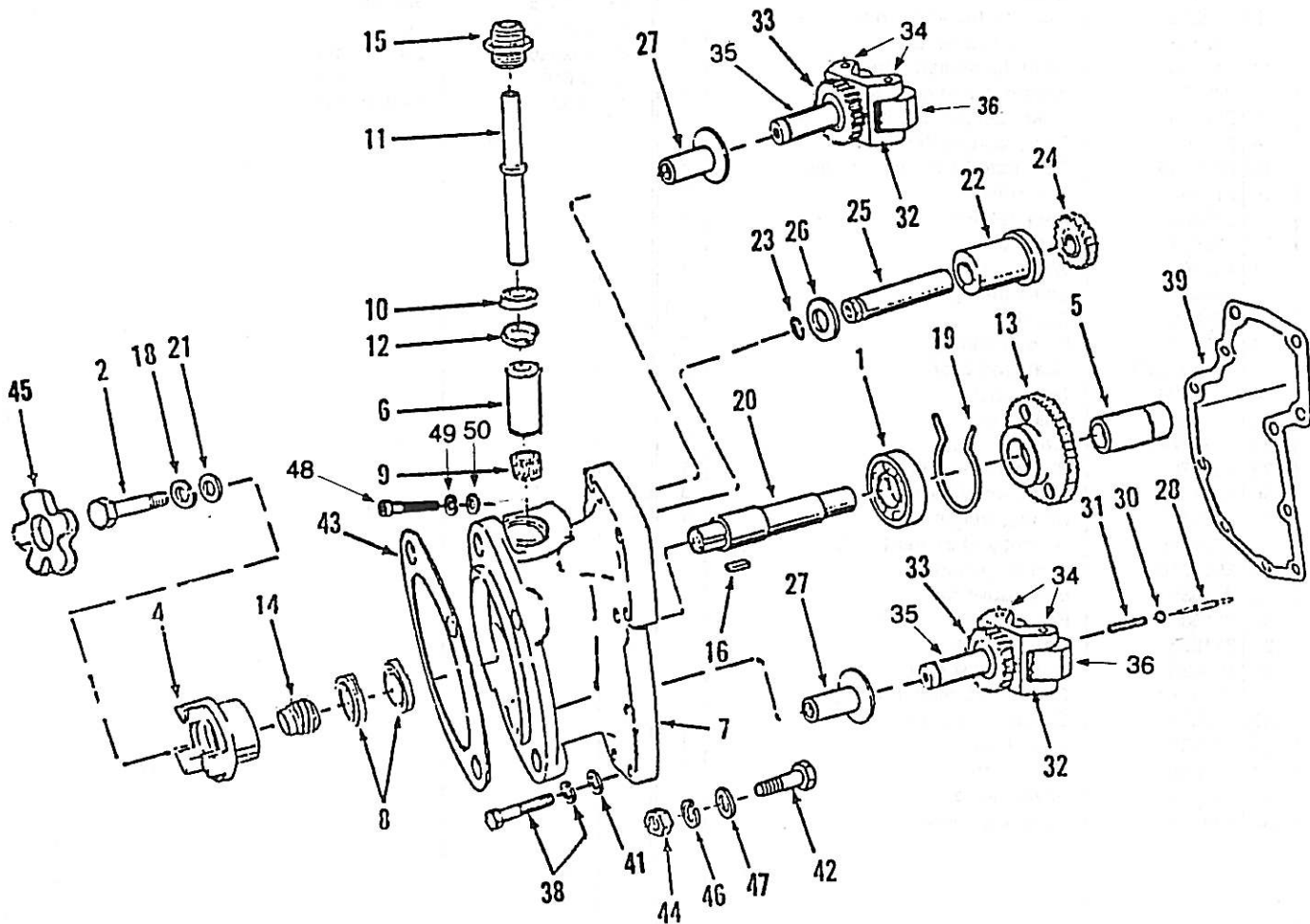
PARTS INDENTED ARE INCLUDED IN THE PART UNDER WHICH THEY ARE INDENTED



FUEL PUMP HOUSING

| REF. NO. | PART NUMBER | PART NAME | NO. REQ'D. | REF. NO. | PART NUMBER | PART NAME | NO. REQ'D. |
|----------|--------------|--|------------|----------|-------------|------------------------------|------------|
| | | VS FUEL PUMP ASSEMBLY | | | | AFC VALVE PLUGGED | |
| | 3028790-9093 | Fuel pump assembly | 1 | 23 | 213769 | Ball, tamper proof | 1 |
| | | VS FUEL PUMP HOUSING | | 24 | 70772-A | Capscrew | 3 |
| | 3021956 | Housing, fuel pump (R.H.) | 1 | 26 | 3004904 | Cover, AFC plug | 1 |
| 1 | 3013692 | Housing, fuel pump (217797) | 1 | 27 | 3000446 | Cover, throttle shaft | 1 |
| 2 | 214139 | Ball | 3 | 28 | 3028064 | Gasket, cover | 1 |
| 9 | 218548 | Barrel, governor (upper) (212147, 212148) | 1 | 29 | S-600 | Lockwasher | 3 |
| 3 | 3011056 | Barrel, governor (lower) | 1 | 30 | S-251 | Nut | 2 |
| 4 | 100193 | Bushing, tachometer drive | 1 | 31 | 145505 | O-ring, plug | 2 |
| 5 | 163733 | Clip, governor barrel | 1 | 32 | 70775 | O-ring, AFC plug | 1 |
| 6 | 118227 | Dowel, ring | 2 | 33 | 105375 | Plate, name | 1 |
| 7 | 202682 | Housing, spring pack (lower) | 1 | 34 | 3000438 | Plug, barrel AFC | 1 |
| 21 | 108384 | Housing, spring pack (upper) | 1 | 44 | 200635 | Plug, pipe | 1 |
| 25 | 70815 | Seal | 1 | 35 | 3004293 | Plug, needle valve | 1 |
| 22 | 3000594 | Screw, upper set | 1 | 45 | 163945 | Ring, retaining | 1 |
| | 3010810 | Plunger, governor (lower) | 1 | 36 | S-16240 | Ring, plug snap | 1 |
| 8 | 70690 | Driver, plunger | 1 | 37 | 109918 | Screw, throttle stop (front) | 1 |
| 10 | 3009380 | Plunger | 1 | 38 | 195755 | Screw, throttle stop (rear) | 1 |
| 12 | 101841 | Shim (.005) | A/R | 39 | S-2286 | Screw | 6 |
| 12 | 101842 | Shim (.010) | A/R | 47 | 3018655 | Spring, plug | 1 |
| 12 | 101843 | Shim (.020) | A/R | 40 | 201806 | Valve, dual ball | 1 |
| 11 | 144302 | Spacer | 1 | 41 | 70704 | Washer, plain | 3 |
| 20 | 138798 | Spring, torque | 1 | | | | |
| 13 | 3027633 | Washer | 1 | | | | |
| | AR-40230 | Plunger, governor (upper) | 1 | | | | |
| 8 | 70690 | Driver, plunger | 1 | | | | |
| 42 | 212350 | Plunger | 1 | | | | |
| 43 | 101921 | Washer, thrust | 1 | | | | |
| | AR-41010 | Shaft, throttle | 1 | | | | |
| 14 | 100478 | O-ring | 1 | | | | |
| 15 | 213768 | O-ring | 1 | | | | |
| 16 | 3006175 | Screw, fuel adjusting | 1 | | | | |
| | 3006430 | Shaft, throttle | 1 | | | | |
| 17 | 3006350 | Shaft, throttle | 1 | | | | |
| 18 | 3006343 | Stop | 1 | | | | |
| 19 | 3006344 | Screw, set | 1 | | | | |

PARTS INDENTED ARE INCLUDED IN THE PART UNDER WHICH THEY ARE INDENTED

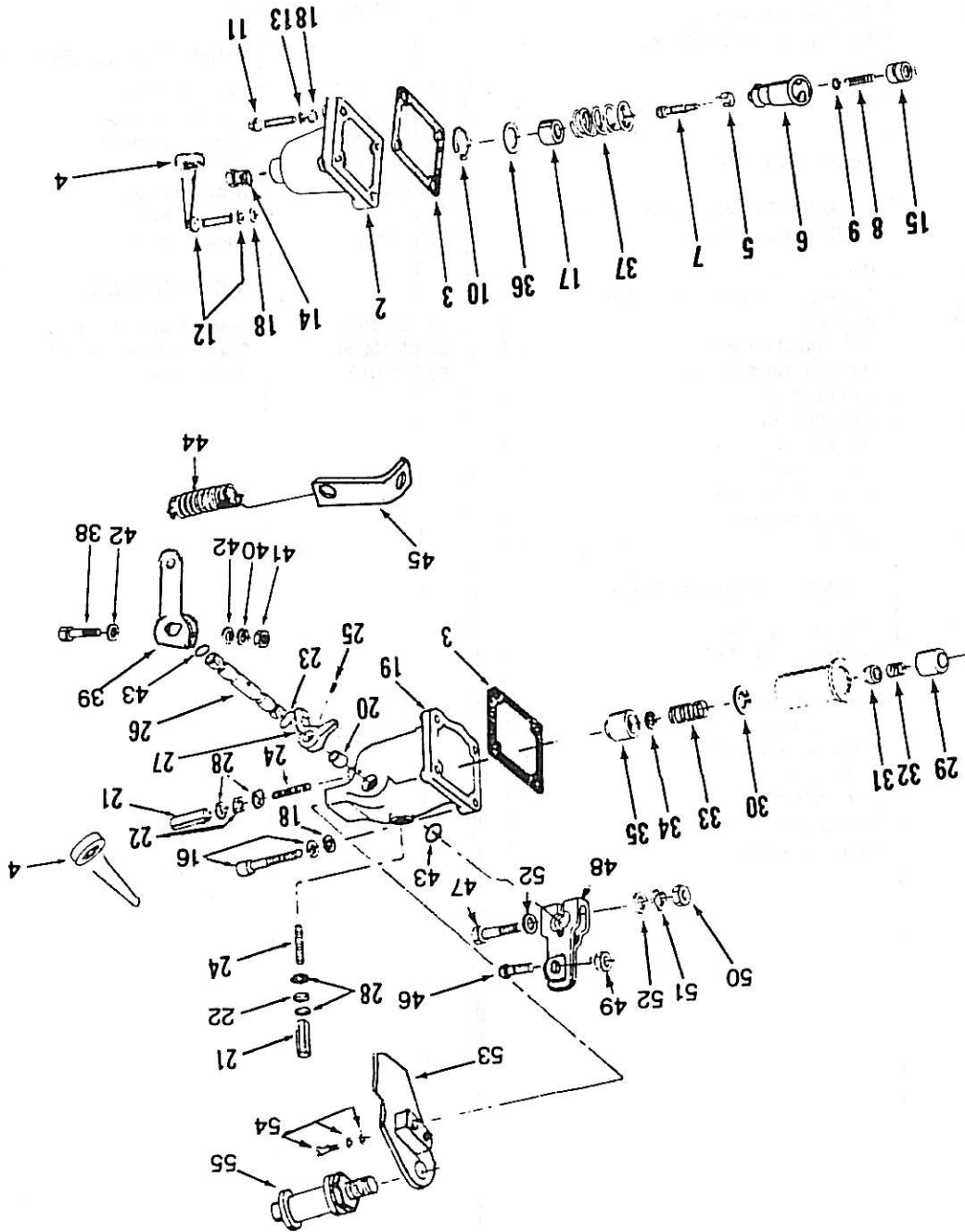


AFC-VS MAINSHAFT, COVER AND GOVERNOR

| REF. NO. | PART NUMBER | PART NAME | NO. REQ'D. | REF. NO. | PART NUMBER | PART NAME | NO. REQ'D. |
|----------|-------------|---|------------|----------|-------------|---|------------|
| | | AFC-VS MAINSHAFT, COVER AND GOVERNOR | | | | MOUNTING PARTS | |
| | 3030276 | Mainshaft, cover and governor | 1 | 38 | 3017051 | Capscrew, cover to housing | 8 |
| 1 | S-16052 | Bearing, ball | 1 | 48 | 118226 | Capscrew, cover to housing | 2 |
| 6 | 212609 | Bushing, tachometer drive | 1 | 39 | 200998 | Gasket, cover to housing | 1 |
| 2 | 3022589 | Capscrew and washer | 1 | 49 | S-606 | Washer, lock | 2 |
| 4 | 212613 | Coupling, fuel pump drive | 1 | 41 | 70704 | Washer, plain | 8 |
| 5 | 212639 | Coupling, fuel pump drive | 1 | 50 | 103089 | Washer, plain | 2 |
| | 3028370 | Cover and bushing | 1 | | | FUEL PUMP TO COMPRESS MOUNTING PARTS | |
| 27 | 163944 | Bushing, carrier shaft | 2 | | | | |
| 7 | 3023451 | Cover | 1 | 42 | S-140 | Capscrew | 4 |
| 8 | 3019962 | Seal, oil | 2 | 43 | 3029087 | Gasket | 1 |
| 9 | 212610 | Gear, tachometer driven | 1 | 44 | S-274 | Nut | 4 |
| 10 | 212603 | Seal, tachometer | 1 | 45 | 162426 | Spider, coupling | 1 |
| 11 | 216908 | Shaft, tachometer drive | 1 | 46 | S-610 | Washer, lock | 4 |
| 12 | 3004724 | Spacer, tachometer seal | 1 | 47 | S-622 | Washer, plain | 4 |
| 13 | 212605 | Gear, fuel pump drive | 1 | | | | |
| 14 | 212602 | Gear, tachometer drive | 1 | | | | |
| 15 | 3002110 | Connector, tachometer drive | 1 | | | | |
| 16 | 212668 | Key, drive | 1 | | | | |
| 19 | 212604 | Ring, retaining | 1 | | | | |
| 20 | 212601 | Shaft, drive | 1 | | | | |
| 21 | 146160 | Washer, plain | 1 | | | | |
| | AR-40147 | Shaft, idler gear | 1 | | | | |
| 22 | 201010 | Bushing | 1 | | | | |
| 23 | 135169 | Ring, retaining | 1 | | | | |
| | AR-74273 | Shaft and gear | 1 | | | | |
| 24 | 113244 | Gear, idler | 1 | | | | |
| 25 | 201008 | Shaft, idler | 1 | | | | |
| 26 | 201745 | Washer | 1 | | | | |
| 28 | 144178 | Plunger, weight assist | 1 | | | | |
| 30 | 144179 | Shim, weight assist | 3 | | | | |
| 31 | 143854 | Spring, weight assist | 1 | | | | |
| | 3024989 | Weight and carrier (lower) | 1 | | | | |
| 32 | 3006550 | Carrier, governor | 1 | | | | |
| 33 | 211636 | Gear, governor | 1 | | | | |
| 34 | 211635 | Pin, weight | 2 | | | | |
| 35 | 211633 | Shaft, carrier | 1 | | | | |
| 36 | 163826 | Weight, governor | 2 | | | | |
| | 3024989 | Carrier assembly (upper) | 1 | | | | |
| 32 | 3006550 | Carrier, governor | 1 | | | | |
| 33 | 211636 | Gear, governor | 1 | | | | |
| 34 | 211635 | Pin, weight | 2 | | | | |
| 35 | 211633 | Shaft, carrier | 1 | | | | |
| 36 | 163826 | Weight, governor | 2 | | | | |

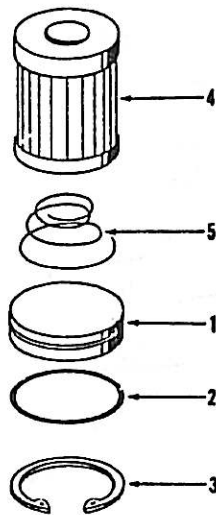
PARTS INDENTED ARE INCLUDED IN THE PART UNDER WHICH THEY ARE INDENTED

VS SPRING PACKS



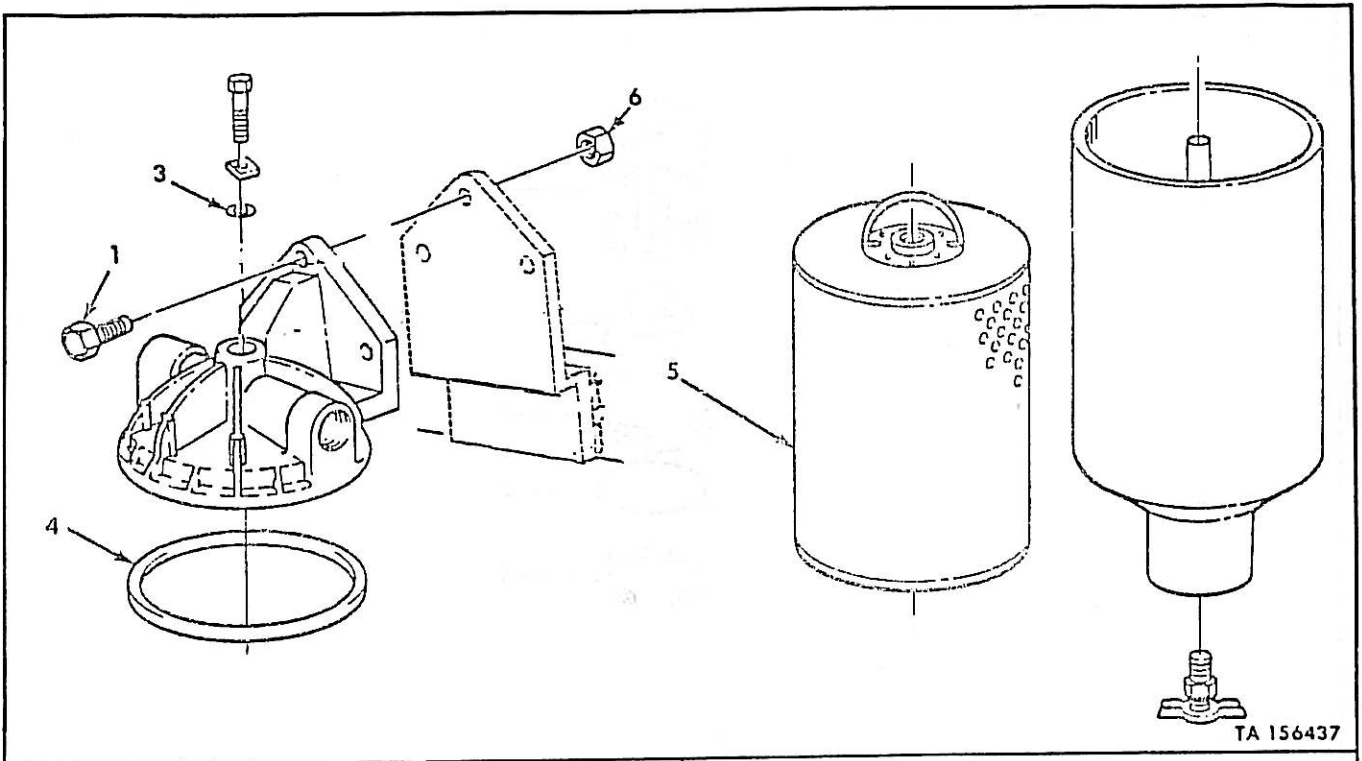
| REF. NO. | PART NUMBER | PART NAME | NO. REQ'D. | REF. NO. | PART NUMBER | PART NAME | NO. REQ'D. |
|----------|-------------|-------------------------------|------------|----------|-------------|---------------------------------|------------|
| | | LOWER SPRING PACK | | | | MOUNTING PARTS | |
| 2 | 44678 | Cover, spring pack | 1 | 11 | S-170-C | Capscrew | 3 |
| 4 | 3003156 | Lockwire, seal | 2 | 3 | 70705 | Gasket | 2 |
| | AR-40138 | Pack, idle spring | 1 | 13 | S-600 | Lockwasher | 3 |
| | AR-40153 | Guide and clip | 1 | 18 | 70704 | Washer | 8 |
| 5 | 204120 | Clip | 1 | | | | |
| 6 | 202681 | Guide | 1 | | | THROTTLE LEVER (OUTSIDE) | |
| 7 | 70716 | Screw | 1 | | | | |
| 8 | 144195 | Spring | 1 | 38 | S-159-B | Capscrew | 1 |
| 9 | 70715 | Washer | 1 | 39 | 138629 | Lever, throttle | 1 |
| 10 | S-16240 | Ring, snap | 1 | 40 | S-600 | Lockwasher | 1 |
| 16 | 3017051 | Capscrew and washer | 3 | 41 | S-251 | Nut | 1 |
| 12 | 3017052 | Capscrew and washer | 2 | 42 | 70704 | Washer, lever | 2 |
| 14 | 3025459 | Plug, cover | 1 | 44 | 203762 | Spring, throttle return | 1 |
| 15 | 141632 | Plunger, idle spring (No. 27) | 1 | 45 | 3005543 | Link, spring | 1 |
| 17 | 203346 | Spacer, governor idle spring | 1 | | | THROTTLE LEVER (INSIDE, | |
| 36 | 70717 | Shim | 1 | | | | |
| 36 | 70717-A | Shim | 1 | 46 | 187127 | Bolt, carriage | 1 |
| 36 | 70717-B | Shim | 1 | 47 | S-159-B | Capscrew, lever | 1 |
| 36 | 189800 | Shim | 1 | 48 | 187126 | Lever, throttle shaft | 1 |
| 37 | 3001155 | Spring, governor | 1 | 49 | S-223 | Nut, bolt | 1 |
| | | UPPER SPRING PACK | | 50 | S-251 | Nut, lever capscrew | 1 |
| | | VARIABLE SPEED | | 51 | S-600 | Washer, lock | 1 |
| | 3020523 | Pack, spring | 1 | 52 | 70704 | Washer, plain | 2 |
| 19 | 3016021 | Cover and bushing (3015253) | 1 | | | AIR CYLINDER | |
| 20 | 3010941 | Bushing | 2 | 53 | 211305 | Bracket, air cylinder | 1 |
| 21 | 110058 | Nut, adjusting screw | 2 | 54 | 3013904 | Capscrew and washer | 2 |
| 22 | S-251 | Nut, adjusting screw | 2 | 55 | 185012 | Cylinder, air | 1 |
| 23 | 70415 | O-ring, shaft | 2 | | | | |
| 24 | 109917 | Setscrew, idling | 2 | | | | |
| 25 | 70813 | Setscrew, throttle lever | 1 | | | | |
| 26 | 3010942 | Shaft, throttle | 1 | | | | |
| 27 | 70834 | Stop, throttle shaft | 1 | | | | |
| 28 | 112408 | Washer, copper | 4 | | | | |
| 43 | 3010945 | Seal, dust | 2 | | | | |
| | | UPPER IDLE SPRING PACK | | | | | |
| | BM-30245 | Pack, idle spring | 1 | | | | |
| 29 | 70820 | Plunger idle spring | 1 | | | | |
| 30 | 70823 | Ring, snap | 1 | | | | |
| 31 | 70798 | Seat, plunger | 1 | | | | |
| 32 | 70778 | Spring, idling | 1 | | | | |
| 34 | 70811 | Shim, governor spring | 1 | | | | |
| 34 | 70811-A | Shim, governor spring | 1 | | | | |
| 34 | 70811-B | Shim, governor spring | 1 | | | | |
| 33 | 109687 | Spring, governor maximum | 1 | | | | |
| 35 | 70836 | Plunger, throttle | 1 | | | | |

PARTS INDENTED ARE INCLUDED IN THE PART UNDER WHICH THEY ARE INDENTED



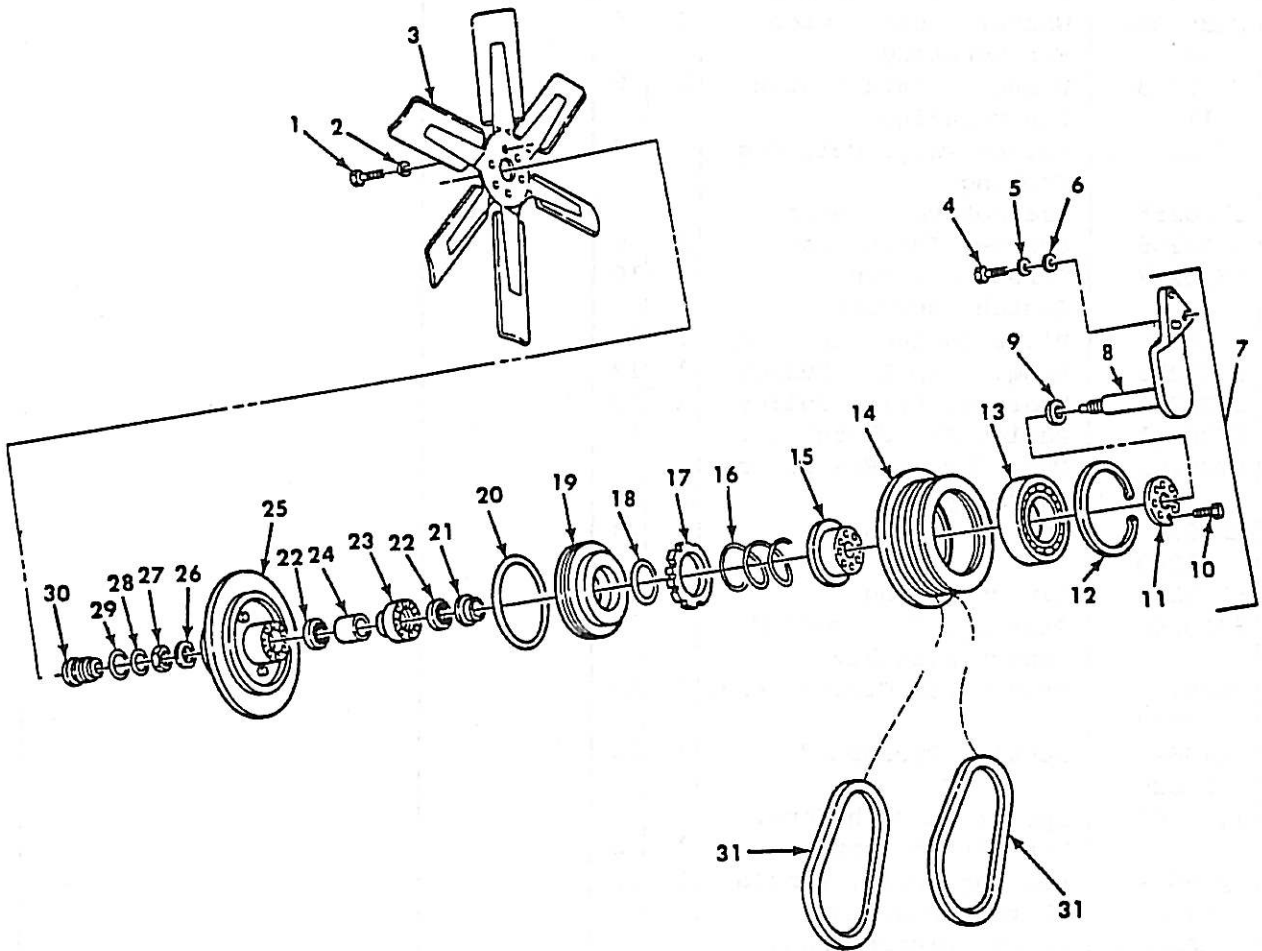
| REF. NO. | PART NUMBER | PART NAME | NO. REQ'D. | REF. NO. | PART NUMBER | PART NAME | NO. REQ'D. |
|----------|-------------|-------------------------|------------|----------|-------------|-----------|------------|
| | | FUEL PUMP FILTER | | | | | |
| 1 | 201007 | Cap, filter screen | 1 | | | | |
| 2 | 145504 | O-ring, cap | 1 | | | | |
| 3 | 128807 | Ring, snap | 1 | | | | |
| 4 | 146483 | Screen, filter | 1 | | | | |
| 5 | 70700 | Spring, filter | 1 | | | | |

PARTS INDENTED ARE INCLUDED IN THE PART UNDER WHICH THEY ARE INDENTED



| PART NUMBER | PART NAME | NO. REQ'D. | REF. NO. | PART NUMBER | PART NAME | NO. REQ'D. | REF. NO. |
|---|---|------------|----------|-------------|-----------|------------|----------|
| | FUEL FILTER AND WATER SEPARATOR | | | | | | |
| MS90726-63 | Screw Cap | 3 | 1 | | | | |
| 11664680 | Separator, Water, Liq. Fuel Filter | 1 | | | | | |
| MA236-21019 | Packing, Preformed | 1 | 3 | | | | |
| 5730249 | Gasket | 1 | 4 | | | | |
| 11664680-1 | Filter Element Fuel Filter | 1 | 5 | | | | |
| MS51922-21 | Nut, Self Locking | 3 | 6 | | | | |
| 11664669 | Parts, Kit, Fluid Pre Packing Preformed Gasket Element Assembly | 1 | | | | | |
| | | 1 | | | | | |
| | | 1 | | | | | |
| | | 1 | | | | | |
| | | 1 | | | | | |
| NOTE: The above parts may be procured from: | | | | | | | |
| A. M. General Corporation 701 W. Chippewa Avenue South Bend, IN 46680 | | | | | | | |

PARTS INDENTED ARE INCLUDED IN THE PART UNDER WHICH THEY ARE INDENTED



TA 156455

Clutch Fan Assembly, Belts, and Mounting Hardware.

| Part Number | Part Name | No. Req. | Ref. No. | Part Number | Part Name | No. Req. | Ref. No. |
|--------------|--|----------|----------|-------------|---------------------------|----------|----------|
| | FAN HUB AND FAN | | | | A. M. General Corporation | | |
| MS90725-6 | Screw, Cap | 6 | 1 | | 701 W. Chippewa Avenue | | |
| MS35338-46 | Washer, Lock Eng. Fan | 6 | 2 | | South Bend, IN 46680 | | |
| 11669185 | Impeller, Fan, Axial Right Hand Sucker | 1 | 3 | | | | |
| MS90726-114 | Screw, Cap, Hex Head Clutch Fan Mounting | 3 | 4 | | | | |
| MS35338-48 | Washer, Lock Clutch Fan Mounting | 3 | 5 | | | | |
| MS2718317 | Washer, Plain Clutch Fan Mounting | 3 | 6 | | | | |
| 5730254 | Pulley Assy. Bel. Eng Cooling | 1 | 7 | | | | |
| 5730255 | Bracket Fan Clutch | 1 | 8 | | | | |
| 5730256 | Spacker Thrust Cap | 1 | 9 | | | | |
| 5730257 | Screw, Cap Fan Clutch Assembly | 8 | 10 | | | | |
| 5730258 | Plate Backup, Thr. Cap | 1 | 11 | | | | |
| 5730259 | Ring, Snap Dr. Pulley | 1 | 12 | | | | |
| 5730260 | Bearing, Drive Pulley | 1 | 13 | | | | |
| 5730261 | Pulley Fan Clutch Dr. | 1 | 14 | | | | |
| 5730262 | Cap, Thrust Fan Clutch Assembly | 1 | 15 | | | | |
| MA292-21049 | Spring Return | 1 | 16 | | | | |
| 5730263 | Clutch Facing | 1 | 17 | | | | |
| 5730264 | Packing, Preformed Fan Clutch Assembly | 1 | 18 | | | | |
| MA207-22742 | Piston Fan Clutch Assy. | 1 | 19 | | | | |
| MA236-21026 | Packing Preformed | 1 | 20 | | | | |
| 5730265 | Spacer, Clutch Hsng. Fan Clutch Assy. | 1 | 21 | | | | |
| MA268A-21047 | Bearing, Ball, Annula Clutch Hsng. Assy. | 2 | 22 | | | | |
| 5730266 | Spacer Clutch Hsng. Assembly | 1 | 23 | | | | |
| 5730267 | Spacer Brng. Fan Clutch | 1 | 24 | | | | |
| 5730251 | Clutch Hsng. Assy Fan Clutch Assembly | 1 | 25 | | | | |
| MA284C-21004 | Washer, Recessed Clutch Housing Assembly | 1 | 26 | | | | |
| MA219D-21010 | Nut, Lock Fan Cltch. Assembly | 1 | 27 | | | | |
| 5730252 | O-ring Seal Plug | 1 | 28 | | | | |
| 5730253 | O-ring Plug Assembly | 1 | 29 | | | | |
| MA207-21532 | Seal, Plug Assy. Fan Clutch Assembly | 1 | 30 | | | | |
| NOTE: | The above parts may be procured from: | | | | | | |

PARTS INDENTED ARE INCLUDED IN THE PART UNDER WHICH THEY ARE INDENTED

INDEX

| <u>Part No.</u> | <u>FSN</u> | <u>Page No.</u> | <u>Part No.</u> | <u>FSN</u> | <u>Page No.</u> |
|-----------------|---------------|-----------------|-----------------|------------------|-----------------|
| AR-02308 | | 8 | BM-95160 | 2815-404-2937 | 7 |
| AR-04154 | 2530-134-4620 | 21 | BM-95161 | | 7 |
| AR-06000 | | 3 | BM-95162 | | 7 |
| AR-04283 | | 14 | LF-516 | 2940-073-3316 | 9 |
| AR-04284 | | 14 | MA-207-21532 | | 43 |
| AR-05535 | | 33 | MA-207-22742 | 2520-01-088-8172 | 43 |
| AR-08566 | | 2 | MA-219D-21010 | | 43 |
| AR-10922 | | 21 | MA-236-21019 | 5330-248-3174 | 41 |
| AR-11317 | | 1 | MA-236-21026 | 5330-01-079-6513 | 43 |
| AR-12732 | | 4 | MA-268A-21047 | 3110-100-2368 | 43 |
| AR-12952 | | 7 | MA-284C-21004 | 5330-01-079-7036 | 43 |
| AR-13108 | | 21 | MA-292-21049 | | 43 |
| AR-40138 | | 39 | MS-27183-17 | | 43 |
| AR-40147 | | 37 | MS-35338-46 | 5310-637-9541 | 43 |
| AR-40153 | | 39 | MS-35338-48 | | 43 |
| AR-40230 | | 35 | MS-51922-21 | 5310-959-1488 | 41 |
| AR-41010 | | 25, 35 | MS-90275-6 | 5305-269-3215 | 43 |
| AR-41020 | | 25 | MS-90726-63 | 5305-269-2806 | 41 |
| AR-45724 | | 21 | MS-90726-114 | | 43 |
| AR-51234 | | 13 | VD-111854 | | 15 |
| AR-51264 | 2930-404-3053 | 15 | S000105C | 5305-012-1913 | 30 |
| AR-51289 | | 7 | S000109 | 5305-851-5992 | 13 |
| AR-51480 | 2940-404-3057 | 9 | S000110 | | 21 |
| AR-51481 | 5330-133-6235 | 12 | S000112 | 5305-269-3211 | 5, 11 |
| AR-51482 | 5330-133-6236 | 8 | S000112A | 5305-577-5462 | 2 |
| AR-51483 | | 33 | S000119 | 5306-225-9081 | 11 |
| AR-51522 | | 33 | S000126 | | 12 |
| AR-73350 | | 21 | S000130 A | | 13 |
| AR-74273 | | 37 | S000140 | | 21, 37 |
| AS-1602906MS | | 11 | S000147B | | 11 |
| AS-1603506MS | | 11 | S000152 | | 19 |
| BM-27253 | 2815-339-5642 | 1 | S000155A | 5306-206-4336 | 21 |
| BM-30245 | | 39 | S000159B | | 31, 39 |
| BM-37633 | 2815-311-2509 | 8 | S000169A | | 13 |
| BM-37634 | 2815-505-5116 | 8 | S-170C | 5306-206-1369 | 39 |
| BM-56657 | 2815-829-5150 | 5 | S000175C | 5305-797-2456 | 29 |
| BM-57837 | | 12 | S000176 | 5305-795-9343 | 7, 16 |
| BM-67416 | 2990-829-5498 | 28 | S000188C | | 22 |
| BM-69889 | 2910-803-2631 | 28 | S000189C | | 33 |
| BM-76340 | | 30 | S000199A | | 13 |
| BM-77450 | 2815-603-1510 | 21 | S000212 | 5310-012-1965 | 7 |
| BM-94080 | | 13 | S000217 | | 21 |
| BM-94081 | | 13 | S000223 | 5310-521-8595 | 11, 39 |
| BM-94082 | | 13 | S000251 | 5310-011-4492 | 21, 31, 39 |
| BM-95159 | 2815-404-2938 | 7 | S000274 | | 37 |

INDEX

| <u>Part No.</u> | <u>FSN</u> | <u>Page No.</u> | <u>Part No.</u> | <u>FSN</u> | <u>Page No.</u> |
|-----------------|---------------|---------------------------|-----------------|---------------|-----------------|
| S-285 | | 16 | 9300-1 | 5315-276-4438 | 2 |
| S-600 | 5310-562-6552 | 21, 25, 30, 31, 35, 39 | 9333-1 | 2815-729-4427 | 23 |
| S-602 | 5310-562-6553 | 5, 11, 22 | 20622 | 2910-338-6839 | 11 |
| S-604 | 5310-261-7340 | 5, 11, 12, 13, 16, 22 | 43828-A | 4730-277-5822 | 21 |
| S-605 | 5310-407-9566 | 11, 13, 21 | 44035 | 2815-375-9892 | 8 |
| S-606 | | 37 | 44678 | 2910-858-3522 | 28, 39 |
| S-608 | 5310-584-5272 | 2, 7, 16 | 60408 | 5315-238-0882 | 1, 5 |
| S-610 | 5310-010-3322 | 11, 13, 21, 37 | 60575 | 2815-428-6201 | 2 |
| S-622 | 5310-562-6557 | 11, 19, 37 | 61554 | 2930-918-9634 | 21 |
| S-626 | 5310-562-6558 | 11, 21, 22 | 64816-A | 5315-014-1244 | 29 |
| S-631 | 5310-562-6560 | 21, 22, 25 | 65274 | 2815-246-0309 | 11 |
| S-670 | | 16 | 66292 | | 1 |
| S-716 | 5340-050-1600 | 1 | 67211 | 5315-276-6508 | 1 |
| S-719 | 5340-276-5847 | 1 | 67270 | 2815-171-3879 | 5 |
| S-908 | 4730-042-6318 | 17 | 67622 | | 13 |
| S-910B | 4730-142-1851 | 11, 18 | 67684 | 5310-262-2906 | 33 |
| S-911B | 4730-018-9566 | 1, 5, 6, 14, 21 | 67944 | 4730-097-4236 | 11 |
| S-915-A | 4730-406-6713 | 11 | 67946 | 5340-197-9327 | 11, 18 |
| S-920 | | 21 | 68061-A | 5330-970-3461 | 25 |
| S-939B | 4730-365-6372 | 11 | 68152 | | 21 |
| S-962-E | 4820-276-9039 | 17 | 68192-A | 2815-378-2885 | 5 |
| S-965-E | 4730-404-2934 | 21 | 68192-B | 2815-378-2886 | 5 |
| S-966E | 4730-404-2935 | 1 | 68192-C | 2815-378-2887 | 5 |
| S-987 | 4730-193-7080 | 11 | 68193 | 4730-404-2944 | 4 |
| S-1002A | 4730-365-2690 | 21 | 68210 | 2930-328-8656 | 12 |
| S-1005A | 4730-374-4282 | 21 | 68226-1 | 2815-882-7960 | 5 |
| S-1074 | 4730-203-3480 | 11 | 68274 | 2815-664-5343 | 13 |
| S-1075 | | 11 | 68445 | 5315-281-7610 | 1 |
| S-1076 | | 11 | 68513 | 5315-041-0916 | 8 |
| S-1077 | | 11 | 68585 | 5315-014-1195 | 1 |
| S-1090 | | 21 | 68586 | 2815-661-6646 | 13 |
| S-1354 | 5305-804-6454 | 11 | 68588 | 2815-353-9384 | 13 |
| S-2286 | 5305-804-6318 | 1, 21, 25, 35 | 68589 | | 13 |
| S-2902 | 2815-362-1548 | 7 | 69324 | | 27 |
| S-16052 | | 27, 37 | 69519 | 5315-475-2574 | 13 |
| S-16240 | 5340-507-3217 | 25, 28, 35, 39 | 69699 | 2815-962-5610 | 1, 6 |
| S-16255 | 2815-815-0355 | 14 | 69736 | 5305-339-1415 | 8 |
| 7348-2 | 2815-362-1780 | 8 | 69901 | 4730-019-4226 | 1, 9 |
| 8365 | 5310-246-0221 | 9 | 69952 | | 16 |
| 9226 | 5315-014-1284 | 1, 23 | 69960 | 5305-795-9341 | 13 |
| 9235-1 | 5306-041-0917 | 4 | 69962 | 4730-695-1247 | 11 |
| 9260-1 | 2815-311-2521 | 8 | 70089-1 | 5330-537-2382 | 1 |
| 9266 | | 8 | 70441 | 2930-508-0411 | 15 |
| 9266-A | 2815-349-1219 | 8 | 70550 | | 3, 21 |
| | | | 70624 | 5330-506-4874 | 17 |

INDEX

| <u>Part No.</u> | <u>FSN</u> | <u>Page No.</u> | <u>Part No.</u> | <u>FSN</u> | <u>Page No.</u> |
|-----------------|---------------|-------------------------------|-----------------|---------------|-----------------|
| 70653 | 2815-772-9434 | 1, 5 | 109319 | | 13 |
| 70657 | | 23 | 109557 | 5310-081-8501 | 21 |
| 70690 | 2990-772-1778 | 25, 35 | 109687 | | 39 |
| 70700 | 2910-597-4570 | 25 | 109917 | | 39 |
| 70704 | 5310-899-6747 | 27, 29, 30, 31, 35, 37, 39 | 109918 | 5305-550-4710 | 25, 35 |
| 70705 | 2910-562-1176 | 28, 39 | 110058 | 5310-710-4975 | 39 |
| 70713 | 5340-898-1497 | 28 | 110453 | 5330-143-8371 | 11 |
| 70715 | 5310-507-3259 | 28, 39 | 110827 | 2930-785-7894 | 12 |
| 70716 | 5306-506-5722 | 28, 39 | 110848 | 2930-701-2091 | 12 |
| 70717 | 5310-507-3260 | 28, 39 | 110855 | 2910-567-3463 | 29 |
| 70717-A | 5340-507-3261 | 28, 39 | 112076 | 4730-044-4691 | 25 |
| 70717-B | 5340-507-3262 | 28, 39 | 112302 | | 14 |
| 70772 | 5305-794-7901 | 6 | 112408 | 5310-735-7460 | 39 |
| 70772-A | 5305-290-2803 | 25, 35 | 112700 | | 8 |
| 70775 | 5330-297-7275 | 25, 35 | 113244 | 2990-701-1112 | 37 |
| 70778 | | 39 | 114421 | | 11 |
| 70798 | 2815-572-8042 | 39 | 114638 | 2815-887-8325 | 19 |
| 70811 | 5310-550-8124 | 39 | 114850 | | 21 |
| 70811-A | 2990-550-8125 | 39 | 115519 | | 14 |
| 70811-B | 2990-550-8127 | 39 | 116391 | | 21 |
| 70813 | 5305-899-8054 | 39 | 117267 | | 16 |
| 70815 | | 35 | 118226 | | 27, 37 |
| 70820 | 2990-567-4367 | 39 | 118227 | 5315-844-0140 | 25, 35 |
| 70823 | 5340-598-1070 | 39 | 118377 | 2815-791-1440 | 8 |
| 70834 | 2910-773-2108 | 39 | 118378 | | 8 |
| 70836 | 2910-711-5372 | 39 | 118939 | 5315-777-3544 | 8 |
| 100099 | 5330-809-2667 | 30 | 119810 | 2530-903-7174 | 21 |
| 100193 | 2910-810-6032 | 25, 35 | 119859 | 5340-922-9101 | 21 |
| 100478 | 5330-081-9289 | 25, 35 | 120543 | | 8 |
| 100764 | 2990-506-4866 | 27 | 120819 | 2815-777-3545 | 8 |
| 101468 | 5315-719-5719 | 29 | 121933 | | 21 |
| 101662 | 2815-327-6439 | 13 | 123558 | 2815-920-2102 | 6 |
| 101841 | 5340-507-3224 | 25, 35 | 126304 | | 13 |
| 101842 | 5340-507-3225 | 25, 35 | 127316 | | 23 |
| 101843 | 5340-543-3744 | 35 | 127459 | | 1 |
| 103089 | | 27, 37 | 127554 | 2815-994-4434 | 6 |
| 105199 | 2815-829-5227 | 19 | 127558 | 2815-791-1453 | 13 |
| 105375 | 2910-733-7622 | 25, 35 | 127863 | | 12 |
| 105831 | 5305-021-5524 | 16 | 127930 | 2815-085-7434 | 6 |
| 106549 | 5305-795-8947 | 16 | 127936 | 5330-941-3762 | 21 |
| 107738 | 2815-505-5119 | 8 | 127940 | 3805-445-0610 | 21 |
| 108330 | | 21 | 128080 | 5360-895-3216 | 21 |
| 108384 | 2910-734-3453 | 35 | 128085 | 5330-905-2679 | 21 |
| 108392 | | 18 | 128086 | 3805-441-0145 | 21 |
| 109072 | 2815-590-7387 | 4 | 129768 | 5310-082-1888 | 33 |

INDEX

| <u>Part No.</u> | <u>FSN</u> | <u>Page No.</u> | <u>Part No.</u> | <u>FSN</u> | <u>Page No.</u> |
|-----------------|---------------|-----------------|-----------------|---------------|-----------------|
| 129826 | 2990-827-5600 | 33 | 144195 | 5340-082-0124 | 28, 39 |
| 129838 | 5355-083-1189 | 33 | 144302 | 2910-829-5604 | 25, 35 |
| 129839 | 2910-084-7787 | 33 | 144714 | 2530-909-4174 | 21 |
| 129888 | 5330-081-9299 | 33 | 144948 | 3805-955-5320 | 21 |
| 130226 | 5330-106-6370 | 16 | 145028 | 2530-909-4175 | 21 |
| 130227 | 2930-408-9404 | 16 | 145505 | | 25, 35 |
| 130240 | | 16 | 145701 | 2815-962-5623 | 6 |
| 130394 | 4730-404-2906 | 17 | 146160 | | 27, 37 |
| 131026 | | 6 | 146483 | 2910-790-8736 | 25 |
| 131622 | | 16 | 147100 | 2910-928-3505 | 6 |
| 132019 | 2930-799-0843 | 1 | 147389 | 5305-062-4378 | 6 |
| 132770 | 2815-877-2213 | 5 | 147588 | | 16 |
| 133538 | | 30 | 147610 | | 21 |
| 133848 | | 13 | 147670 | 2815-994-4427 | 3 |
| 134074 | 2910-085-7436 | 33 | 148203 | 5330-143-8369 | 17 |
| 134285 | | 13 | 151623 | | 4 |
| 134596 | | 13 | 151900 | 5330-080-0483 | 30 |
| 135169 | | 37 | 151911 | 2915-961-6314 | 13 |
| 135308 | | 6 | 151917 | | 13 |
| 135957 | 2815-739-6098 | 6 | 153238 | | 28 |
| 136403 | | 21 | 153336 | 2910-829-5616 | 30 |
| 137075 | | 4 | 153338 | 2910-829-5617 | 30 |
| 137796 | | 22 | 153513 | | 9 |
| 138042 | | 23 | 153516 | | 9 |
| 138608 | | 18 | 153518 | | 9 |
| 138609 | | 18 | 153519 | | 9 |
| 138629 | | 39 | 153520 | | 9 |
| 138795 | | 25 | 153521 | | 9 |
| 138798 | | 35 | 153526 | 2815-131-1700 | 13 |
| 138988 | 2815-033-9392 | 5 | 153528 | 5330-927-4373 | 9 |
| 139395 | | 11 | 153964 | | 21 |
| 139761 | | 21 | 153966 | | 21 |
| 139988 | 5330-809-3276 | 30 | 154018 | 2530-852-7347 | 21 |
| 140218 | | 1 | 154087 | 5330-951-3538 | 33 |
| 140297 | | 7 | 154088 | 3805-961-9470 | 25 |
| 140330 | 2815-589-3537 | 7 | 154966 | | 14 |
| 140410 | | 2 | 154996 | | 21 |
| 140411 | 2815-829-5238 | 2 | 157088 | 2910-507-3271 | 25 |
| 141632 | | 28, 29 | 157551 | 5330-143-8376 | 11 |
| 142234 | | 19 | 157870 | | 1 |
| 142511 | 6620-042-4165 | 17 | 157911 | 2815-603-1514 | 21 |
| 143854 | | 27, 37 | 158139 | | 9 |
| 144178 | 5315-082-0448 | 27, 37 | 158145 | 2815-404-2947 | 11 |
| 144179 | | 27, 37 | 158208 | 5310-480-2506 | 7 |
| | | | 160514 | 5330-965-0870 | 30 |

INDEX

| <u>Part No.</u> | <u>FSN</u> | <u>Page No.</u> | <u>Part No.</u> | <u>FSN</u> | <u>Page No.</u> |
|-----------------|---------------|-----------------|-----------------|---------------|-----------------|
| 161825 | | 7 | 180175 | | 23 |
| 162426 | | 27, 37 | 180371 | | 22 |
| 163733 | 2910-400-5178 | 25, 35 | 180372 | | 22 |
| 163759 | | 11 | 180626 | | 33 |
| 163826 | | 27, 37 | 180810 | | 21 |
| 163944 | 2910-904-9595 | 27, 37 | 181213 | | 22 |
| 163945 | | 25, 35 | 181466 | | 27, 29, 30, 33 |
| 164162 | | 13 | 183049 | 5330-058-1767 | 1 |
| 164164 | | 13 | 183429 | | 21 |
| 165286 | | 9 | 185012 | 2990-484-8540 | 39 |
| 165430 | | 21 | 185138 | | 33 |
| 166009 | 2815-132-0245 | 33 | 185139 | | 33 |
| 166777 | | 16 | 185574 | | 5 |
| 167157 | | 33 | 185804 | 5305-463-0428 | 11 |
| 167166 | | 29 | 186286 | 2815-404-2949 | 2 |
| 167169 | | 29 | 186780 | 5330-864-5422 | 15 |
| 168306 | | 7 | 187126 | | 39 |
| 168306 | | 7 | 187127 | | 39 |
| 168319 | 5305-297-4022 | 7 | 187350 | | 21 |
| 168803 | | 7 | 187420 | 2815-132-0273 | 3 |
| 168805 | | 7 | 187556 | | 33 |
| 169657 | 5305-795-9308 | 13 | 188040 | | 21 |
| 169704 | | 7 | 188042 | 3120-129-9206 | 21 |
| 169705 | | 7 | 188044 | 3120-129-9210 | 21 |
| 170226 | 2815-404-2946 | 7 | 189800 | | 28, 39 |
| 170296 | | 6 | 190334 | 5340-129-9415 | 21 |
| 170664 | | 21 | 190397 | | 21 |
| 172034 | 2815-632-6239 | 6 | 190876 | 5330-132-0274 | 33 |
| 172049 | | 29 | 191037 | | 21 |
| 172648 | 2815-404-2920 | 23 | 191517 | | 21 |
| 173086 | 5330-132-0247 | 33 | 191916 | 2910-238-5435 | 33 |
| 174299 | 2815-815-1137 | 33 | 191970 | 2815-480-4347 | 3 |
| 175755 | | 3 | 193136 | | 21 |
| 175831 | 5340-485-0945 | 8 | 193736 | 5330-132-0276 | 33 |
| 175862 | | 29 | 194037 | 2815-404-2940 | 7 |
| 175866 | | 29 | 194921 | 2815-404-2926 | 19 |
| 176025 | | 21 | 194923 | 2815-404-2931 | 19 |
| 176027 | 5330-129-9389 | 21 | 195755 | | 25, 35 |
| 177285 | | 33 | 196282 | | 21 |
| 177286 | | 33 | 196844 | | 14 |
| 177287 | | 33 | 196845 | | 14 |
| 177288 | | 33 | 197093 | | 13 |
| 177734 | 5305-795-9334 | 1, 6 | 198660 | | 3 |
| 178869 | | 6 | 199068 | 2815-404-2956 | 11 |
| 179688 | 2815-404-2975 | 11 | 199349 | | 21 |

INDEX

| <u>Part No.</u> | <u>FSN</u> | <u>Page No.</u> | <u>Part No.</u> | <u>FSN</u> | <u>Page No.</u> |
|-----------------|---------------|-----------------|-----------------|---------------|-----------------|
| 199410 | | 14 | 208346 | | 1 |
| 200064 | | 11 | 208460 | 2815-453-8984 | 2 |
| 200517 | | 21 | 209726 | | 22 |
| 200635 | | 35 | 209760 | | 25 |
| 200809 | 5330-026-2931 | 21 | 210650 | | 8 |
| 200819 | 2940-400-5189 | 13 | 210879 | | 19 |
| 200845 | | 11 | 210884 | | 1 |
| 200861 | 5310-134-4171 | 23 | 211253 | | 4 |
| 200908 | 5305-005-0666 | 19 | 211255 | | 5 |
| 200919 | 2815-132-3203 | 19 | 211305 | | 39 |
| 200998 | | 37 | 211315 | | 21 |
| 201008 | | 37 | 211622 | | 21 |
| 201010 | | 37 | 211633 | | 27, 37 |
| 201745 | | 37 | 211635 | | 27, 37 |
| 201806 | | 29, 35 | 211636 | | 27, 37 |
| 202334 | 2930-404-3050 | 17 | 211999 | 5360-009-9270 | 6 |
| 202356 | | 21 | 212147 | | 35 |
| 202586 | 2815-404-2924 | 18 | 212148 | | 35 |
| 202603 | 4710-425-5921 | 11 | 212350 | | 35 |
| 202681 | | 39 | 212601 | | 27, 37 |
| 202682 | | 35 | 212602 | | 27, 37 |
| 202890 | 2815-404-2921 | 18 | 212603 | | 27, 37 |
| 202891 | 2815-472-2626 | 2 | 212604 | | 27, 37 |
| 202897 | 2910-951-3536 | 30 | 212605 | | 27, 37 |
| 202903 | | 1, 2 | 212609 | | 27, 37 |
| 203131 | 5310-426-3990 | 6 | 212610 | | 27, 37 |
| 203346 | | 39 | 212613 | | 27, 37 |
| 203426 | | 33 | 212639 | | 27, 37 |
| 203502 | | 13 | 212668 | | 27, 37 |
| 203762 | 5360-140-2078 | 39 | 212752 | | 21 |
| 203849 | | 22, 29 | 213109 | 5305-598-6468 | 7 |
| 204120 | | 39 | 213394 | | 6 |
| 204531 | 2815-138-8280 | 11 | 213395 | | 6 |
| 204586 | | 15 | 213559 | | 8 |
| 204587 | | 11 | 213740 | 2815-064-4398 | 1 |
| 204898 | | 21 | 213768 | | 25, 35 |
| 204904 | | 21 | 213769 | | 25, 35 |
| 204916 | | 22 | 214139 | | 25, 35 |
| 204917 | | 22 | 214633 | | 5 |
| 204966 | | 11 | 214730 | | 3 |
| 204993 | | 11 | 214950 | | 3 |
| 206326 | | 27 | 214951 | | 3 |
| 208045 | 2805-421-9524 | 7 | 214952 | | 3 |
| 208069 | 5330-006-2529 | 5 | 214953 | | 3 |
| 208087 | 4820-588-8604 | 33 | 215090 | 2815-064-4399 | 1 |

INDEX

| <u>Part No.</u> | <u>FSN</u> | <u>Page No.</u> | <u>Part No.</u> | <u>FSN</u> | <u>Page No.</u> |
|-----------------|------------------|-----------------|-----------------|------------------|------------------|
| 215218 | | 22 | 3006183 | | 7 |
| 215375 | | 5 | 3006343 | | 25, 35 |
| 215457 | | 21 | 3006344 | | 25, 35 |
| 216165 | | 4 | 3006350 | | 25, 35 |
| 216524 | | 6 | 3006358 | | 7 |
| 216908 | | 27, 37 | 3006430 | | 25, 35 |
| 217381 | | 23 | 3006456 | | 6 |
| 217385 | | 23 | 3006550 | | 27, 37 |
| 217632 | | 17 | 3006737 | 5330-005-0858 | 4 |
| 217795 | | 25 | 3006773 | | 25 |
| 217798 | | 25 | 3006999 | | 22 |
| 217805 | | 25 | 3007148 | | 23 |
| 218152 | | 7 | 3007242 | | 7 |
| 218153 | | 7 | 3007279 | 2815-230-0070 | 23 |
| 218548 | | 35 | 3007717 | | 6 |
| 218732 | | 3 | 3007759 | 5330-01-072-4436 | 6 |
| 218736 | | 7 | 3007833 | | 6 |
| 218793 | | 21 | 3007835 | | 6 |
| 219153 | | 3 | 3008017 | | 12 |
| 251152 | 2815-932-7452 | 13 | 3008047 | | 1 |
| 257526 | | 9 | | | |
| 650330 | | 21 | 3008048 | | 1 |
| 3000167 | | 21 | 3008049 | | 1 |
| 3000171 | | 21 | 3008069 | | 11 |
| 3000173 | | 21 | 3008465 | | 21, 23 |
| 3000174 | | 21 | 3008466 | | 1, 18 |
| 3000266 | | 33 | 3008468 | | 1, 12, 21 |
| 3000438 | | 25, 35 | 3008469 | | 1, 11, 12, 13, 2 |
| 3000446 | | 25, 35 | 3008591 | | 18 |
| 3000521 | | 7 | 3008595 | | 7 |
| 3000594 | | 35 | 3008706 | | 33 |
| 3000657 | | 22 | 3008947 | | 21 |
| 3001155 | | 39 | 3008998 | | 1 |
| 3002110 | | 27, 37 | 3009380 | | 25, 35 |
| 3002171 | | 21 | 3010042 | | 25 |
| 3003156 | 5330-01-072-8630 | 27, 28, 39 | 3010043 | | 25 |
| 3004293 | | 25, 35 | 3010589 | | 7 |
| 3004724 | | 27, 37 | 3010592 | | 21 |
| 3004904 | | 25, 35 | 3010593 | | 8 |
| 3005136 | | 21 | 3010594 | | 4, 16 |
| 3005152 | | 21 | 3010595 | | 11 |
| 3005543 | | 39 | 3010596 | | 1, 12, 13, 17, 2 |
| 3005812 | | 21 | 3010597 | | 15 |
| 3006175 | 5305-01-072-8826 | 25, 35 | 3010810 | | 25, 35 |
| 3006182 | | 7 | 3010919 | | 21 |
| | | | 3010941 | | 39 |

INDEX

| <u>Part No.</u> | <u>FSN</u> | <u>Page No.</u> | <u>Part No.</u> | <u>FSN</u> | <u>Page No.</u> |
|-----------------|------------------|-----------------|-----------------|------------|-----------------|
| 3010942 | | 39 | 3017544 | | 8 |
| 3010945 | | 39 | 3017545 | | 8 |
| 3011056 | | 35 | 3017750 | | 7 |
| 3011272 | | 8 | 3017946 | | 2 |
| 3011273 | | 8 | 3018049 | | 8 |
| 3011315 | | 23 | 3018050 | | 8 |
| 3011342 | | 23 | 3018051 | | 8 |
| 3011711 | | 5 | 3018151 | | 21 |
| 3011713 | | 5 | 3018153 | | 21 |
| 3011714 | | 5 | 3018324 | | 33 |
| 3011715 | 5305-01-072-8816 | 18 | 3018491 | | 21 |
| 3011716 | 5305-01-072-9021 | 22 | 3018527 | | 21 |
| 3011934 | | 6 | 3018655 | | 25, 35 |
| | | | 3018682 | | 27 |
| | | | 3018835 | | 33 |
| 3012332 | | 3 | 3019061 | | 14 |
| 3012473 | | 11 | 3019077 | | 23 |
| 3012479 | | 13 | 3019116 | | 12 |
| 3012480 | | 13 | 3019174 | | 2 |
| 3012497 | | 31 | 3019180 | | 2 |
| 3012526 | | 21 | 3019186 | | 2 |
| 3012537 | | 33 | 3019192 | | 2 |
| 3012972 | | 18 | 3019198 | | 2 |
| 3013001 | | 17 | 3019204 | | 2 |
| 3013607 | | 15 | 3019218 | | 2 |
| 3013691 | | 25 | 3019573 | | 21 |
| 3013692 | | 35 | 3019955 | | 1 |
| 3013786 | | 1, 5, 12 | 3019956 | | 1 |
| 3013786 | | 21 | 3019957 | | 1 |
| 3013904 | | 1, 39 | 3019958 | | 1 |
| 3013930 | | 3 | 3019959 | | 1 |
| 3014103 | | 21 | 3019960 | | 1 |
| 3014149 | | 3 | 3019962 | | 27, 37 |
| 3014443 | | 6 | 3020479 | | 14 |
| 3014935 | | 29 | 3020523 | | 39 |
| 3014979 | 2815-404-2917 | 23 | 3020980 | | 7 |
| 3015253 | | 39 | 3021470 | | 21 |
| 3015282 | | 27 | 3021601 | | 4 |
| 3016021 | | 39 | 3021735 | | 23 |
| 3016680 | | 29 | 3021956 | | 35 |
| 3017031 | | 8 | 3022589 | | 27, 37 |
| 3017050 | | 11 | 3023101 | | 21 |
| 3017051 | | 27, 28, 37, 39 | 3023451 | | 37 |
| 3017052 | | 27, 28, 39 | 3024258 | | 4 |
| 3017065 | | 13 | 3024448 | | 5 |

INDEX

| <u>Part No.</u> | <u>FSN</u> | <u>Page No.</u> | <u>Part No.</u> | <u>FSN</u> | <u>Page No.</u> |
|-----------------|------------|-----------------|-----------------|------------------|-----------------|
| 3024521 | | 29 | 3801314 | | 1 |
| 3024989 | | 27, 37 | 5730249 | 5330-01-039-5314 | 41 |
| 3025198 | | 13 | 5730251 | | 43 |
| 3025459 | | 28, 39 | 5730252 | | 43 |
| 3025460 | | 25 | 5730253 | | 43 |
| 3025890 | | 21 | 5730254 | 2030-01-115-2285 | 43 |
| 3026163 | | 29 | 5730255 | | 43 |
| 3026556 | | 21 | 5730256 | | 43 |
| 3026557 | | 21 | 5730257 | | 43 |
| 3026624 | | 29 | 5730258 | | 43 |
| 3027151 | | 18 | 5730259 | | 43 |
| 3027215 | | 8 | 5730260 | | 43 |
| 3027288 | | 1 | 5730261 | | 43 |
| 3027507 | | 29 | 5730262 | | 43 |
| 3027633 | | 25, 35 | 5730263 | | 43 |
| 3027983 | | 11 | 5730264 | 5330-01-079-7129 | 43 |
| 3028064 | | 25, 35 | 5730265 | | 43 |
| 3028279 | | 33 | 5730266 | | 43 |
| 3028293 | | 6 | 5730267 | | 43 |
| 3028302 | | 27 | 11664669 | 2910-152-2033 | 41 |
| 3028368 | | 27 | 11664680 | 4910-477-8276 | 41 |
| 3028370 | | 37 | 11664681 | | 41 |
| 3028790-9093 | | 35 | 11669185 | 2910-01-089-3958 | 43 |
| 3028791-3892 | | 25 | | | |
| 3029087 | | 21, 27, 37 | | | |
| 3030038 | | 6 | | | |
| 3030269 | | 27 | | | |
| 3030276 | | 37 | | | |
| 3030269 | | 27 | | | |
| 3030463 | | 21 | | | |
| 3030464 | | 12 | | | |
| 3030506 | | 21 | | | |
| 3030866 | | 17 | | | |
| 3030970 | | 33 | | | |
| 3031137 | | 33 | | | |
| 3031434 | | 13 | | | |
| 3131619 | | 21 | | | |
| 3301954 | | 9 | | | |
| 3301956 | | 9 | | | |
| 3801030 | | 4 | | | |
| 3801260 | | 2 | | | |
| 3801261 | | 2 | | | |
| 3801262 | | 2 | | | |
| 3801263 | | 2 | | | |
| 3801264 | | 2 | | | |